

**MAINTENANCE MANUAL
METAL CBU
TYPES I, II, III, AND IV
1570 "F" SERIES**

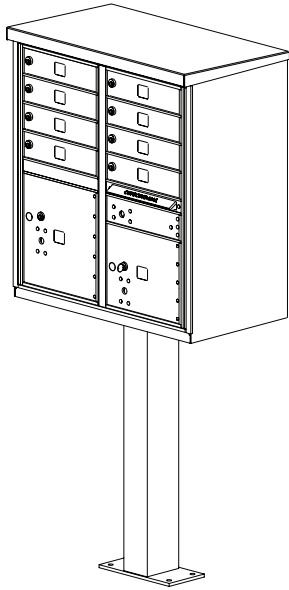
AUTH AF FLORENCE
M A N U F A C T U R I N G
A FLORENCE COMPANY

5935 CORPORATE DRIVE
MANHATTAN, KANSAS 66503

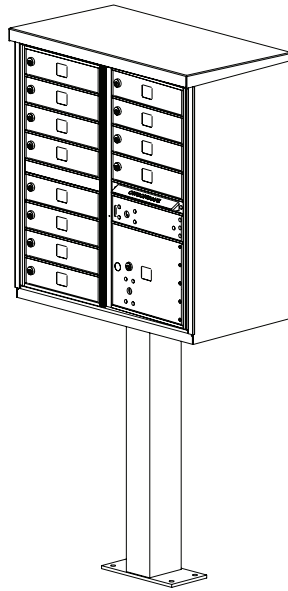
Ph. 800-275-1747
Fax. 800-275-5081

www.auth-florence.com

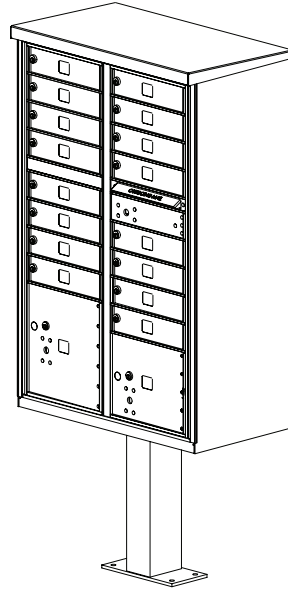
YOUR ISO 9001 MAILBOX SUPPLIER



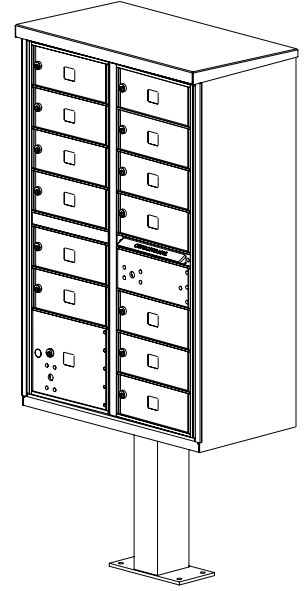
I



II



III



IV

	TYPE I	TYPE II	TYPE III	TYPE IV
INSTALLED HEIGHT	62"	62"	62"	62"
DEPTH	17-7/8"	17-7/8"	17-7/8"	17-7/8"
WIDTH	30-1/2"	30-1/2"	30-1/2"	30-1/2"
WEIGHT (WITHOUT PEDESTAL)	107 LBS	111 LBS	147 LBS	137 LBS
WEIGHT (WITH PEDESTAL)	125 LBS	129 LBS	162 LBS	152 LBS
QTY OF STANDARD COMPARTMENTS	8	12	16	13
QTY OF PARCEL COMPARTMENTS	2	1	2	1
PARCEL COMPARTMENT HEIGHT	10", 13"	10"	10", 13"	10"

TABLE OF CONTENTS

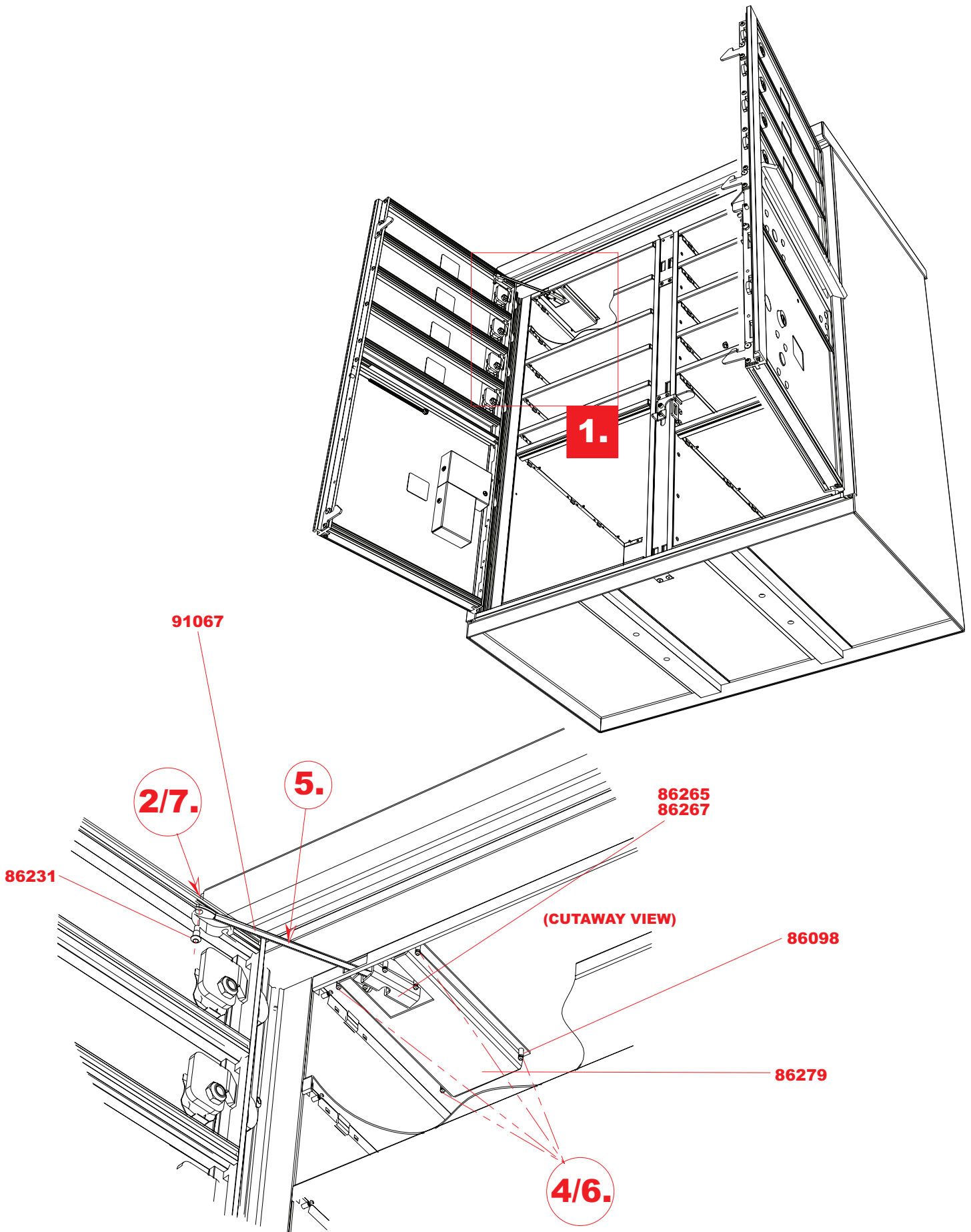
<i>DESCRIPTION</i>	<i>PAGE</i>
<i>REPLACEMENT OF MASTER LOADING DOOR HOLD OPEN MECHANISM</i>	<i>4</i>
<i>REMOVAL OF INSERT ASSEMBLY</i>	<i>6</i>
<i>REPLACEMENT OF MASTER LOADING DOOR</i>	<i>8</i>
<i>REPLACEMENT OF HINGE ROD</i>	<i>10</i>
<i>REPLACEMENT OF RIGHT SIDE PATRON COMPARTMENT DOOR</i>	<i>12</i>
<i>REPLACEMENT OF ARROW LOCK DOOR</i>	<i>14</i>
<i>REPLACEMENT OF RIGHT SIDE PARCEL DOOR</i>	<i>16</i>
<i>REPLACEMENT OF LEFT SIDE PATRON COMPARTMENT DOOR</i>	<i>18</i>
<i>REPLACEMENT OF LEFT SIDE PARCEL DOOR</i>	<i>20</i>
<i>REPLACEMENT OF 910A PATRON LOCK</i>	<i>22</i>
<i>REPLACEMENT OF ARROW LOCK</i>	<i>24</i>
<i>REPLACEMENT OF ARROW LOCK LATCH/SLIDE HANDLE</i>	<i>26</i>
<i>REPLACEMENT OF PARCEL LOCK ASSEMBLY</i>	<i>28</i>
<i>REPLACEMENT OF PARCEL DOOR SPRING</i>	<i>30</i>
<i>REPLACEMENT OF SHELF</i>	<i>32</i>
<i>REPLACEMENT OF MASTER LOADING DOOR SLIDE MECHANISM</i>	<i>34</i>
<i>REPLACEMENT OF PEDESTAL</i>	<i>36</i>

REPLACEMENT OF MASTER LOADING DOOR HOLD OPEN MECHANISM TYPES I, II, III AND IV

- 1.** OPEN MASTER LOADING DOORS
- 2.** **TO DISENGAGE HOLD OPEN MECHANISM:**
REMOVE ONE (1) 86231 6-32 TORX HEAD SHOULDER SCREW
- 3.** **TO REPLACE HOLD OPEN MECHANISM:**
REMOVE INSERT ASSEMBLY (SEE INSTRUCTIONS PAGE 6)
- 4.** DRILL OUT SEVEN (7) 86098 1/8" POP RIVETS AND REMOVE THE 86279 HOLD OPEN GUARD AND THE 86267 LATCH HOLD OPEN BRACKET (LEFT SIDE); 86265 LATCH HOLD OPEN BRACKET (RIGHT SIDE)
- 5.** REMOVE/REPLACE 91067 HOLD OPEN ARM
- 6.** REPLACE HOLD OPEN GUARD AND HOLD OPEN BRACKET - REPLACE SEVEN (7) 86098 1/8" POP RIVETS
- 7.** REATTACH HOLD OPEN ARM WITH 86231 6-32 TORX HEAD SHOULDER SCREW
- 8.** CLOSE MASTER LOADING DOORS

REQUIRED TOOLS		PART # DESCRIPTION	
CORDLESS DRILL		86098	1/8" DIA X .328" POP RIVET SS
PORTABLE POP RIVET GUN		86231	6-32 X .187 TORX HEAD SCREW
1/8" DRILL BIT		86265	LATCH HOLD OPEN BRACKET - RT
T-15 TORX SCREWDRIVER/BIT		86267	LATCH HOLD OPEN BRACKET - LT
		86279	HOLD OPEN GUARD
		91067	HOLD OPEN ARM

REPLACEMENT OF MASTER LOADING DOOR HOLD OPEN MECHANISM



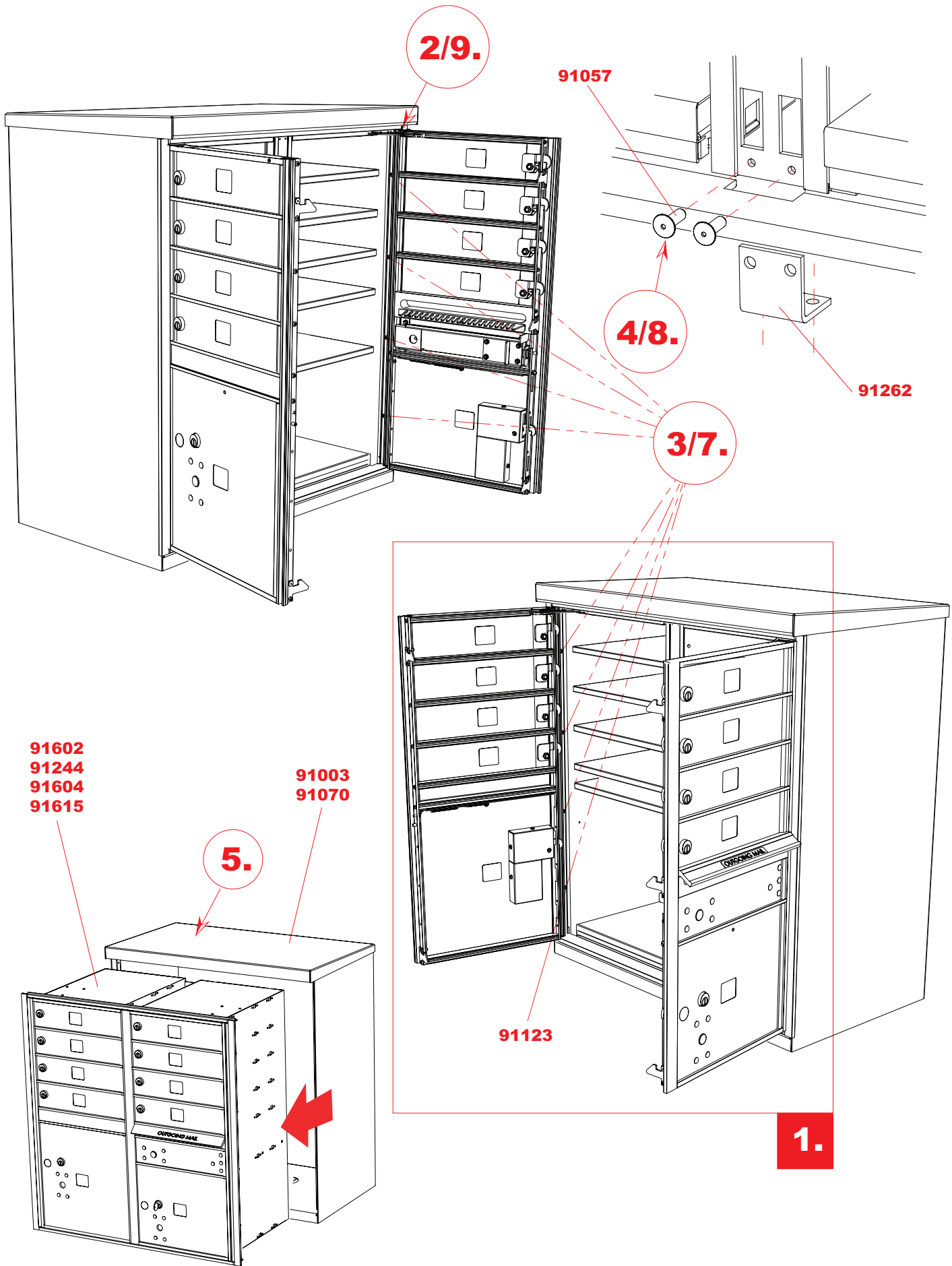
REMOVAL OF INSERT ASSEMBLY TYPES I, II, III AND IV

- 1.** OPEN MASTER LOADING DOORS
- 2.** DISENGAGE HOLD OPEN MECHANISMS
(SEE INSTRUCTIONS PAGE 4)
- 3.** [FOR TYPES I, II] REMOVE EIGHT (8)
91123 8-32 TORX HEAD SCREWS FROM
INSERT ASSEMBLY
[FOR TYPES III, IV] REMOVE TWELVE (12)
91123 8-32 TORX HEAD SCREWS FROM
INSERT ASSEMBLY
- 4.** DRILL OUT FOUR (4) 91057 3/16" POP
RIVETS AT BOTTOM OF SLIDE MECHA-
NISM AND REMOVE BRACKET
- 5.** SLIDE INSERT ASSEMBLY OUT PARTIALLY
TO MAKE REPAIRS TO MASTER LOADING
DOORS, OTHERWISE REMOVE INSERT AS-
SEMBLY AND LAY FLAT ON BACK
- 6.** REPLACE WITH NEW INSERT ASSEMBLY
- 7.** [FOR TYPES I, II] REPLACE EIGHT (8)
91123 8-32 TORX HEAD SCREWS FROM
INSERT ASSEMBLY
[FOR TYPES III, IV] REPLACE TWELVE (12)
91123 8-32 TORX HEAD SCREWS FROM
INSERT ASSEMBLY
- 8.** REPLACE FOUR (4) 91057 3/16" POP RIV-
ETS AT BOTTOM OF SLIDE MECHANISM
AND REPLACE BRACKET
- 9.** REPLACE HOLD OPEN MECHANISMS
(SEE INSTRUCTIONS PAGE 6) AND CLOSE
MASTER LOADING DOORS

REQUIRED TOOLS
PORTABLE DRILL
T-20 TORX HEAD SCREWDRIVER/BIT
PORTABLE POP RIVET GUN
HAMMER
PLIERS

PART #	DESCRIPTION
91003	CABINET ASSEM. FOR TYPE III, IV
91057	3/16" DIA X .55 L SS POP RIVET
91602	INSERT ASSEM. FOR TYPE I
91070	CABINET ASSEM. FOR TYPE I, II
91123	8-32 X 1/2" TORX HEAD SCREW
91262	BRACKET
91244	INSERT ASSEM. FOR TYPE IV
91604	INSERT ASSEM. FOR TYPE II
91615	INSERT ASSEM. FOR TYPE III

REMOVAL OF INSERT ASSEMBLY



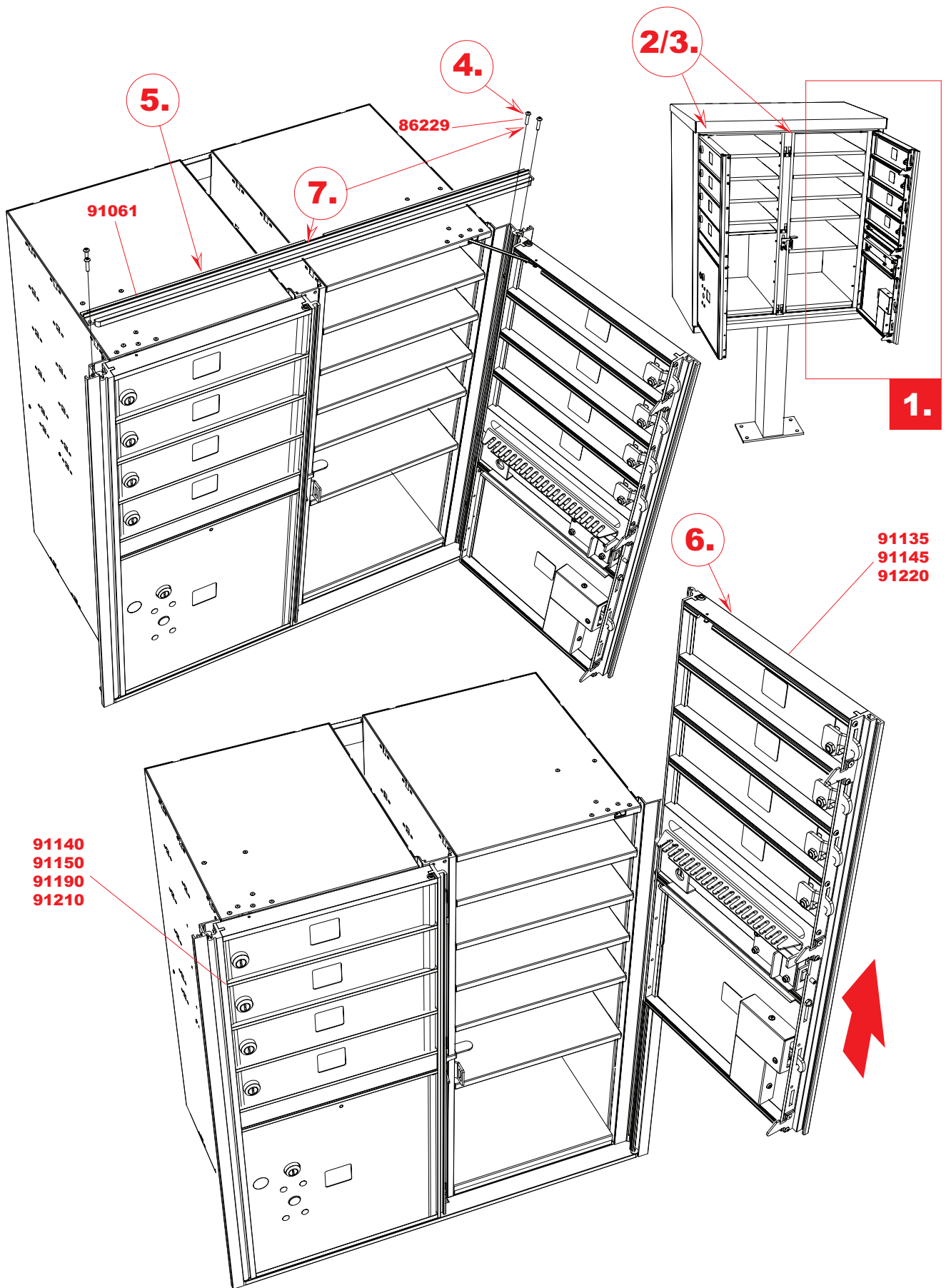
REPLACEMENT OF MASTER LOADING DOOR TYPES I, II, III AND IV

- 1.** OPEN MASTER LOADING DOORS
- 2.** DISENGAGE HOLD OPEN MECHANISMS FROM TOP OF MASTER LOADING DOORS (SEE INSTRUCTIONS PAGE 4)
- 3.** REMOVE INSERT ASSEMBLY (SEE INSTRUCTIONS PAGE 6)
- 4.** CLOSE MASTER LOADING DOORS AND REMOVE FOUR (4) 86229 8-32 STAINLESS STEEL TORX HEAD SCREWS
- 5.** REMOVE ONE (1) 91061 TOP FRAME BRACE EXPOSING MASTER LOADING DOOR HINGES
- 6.** SLIDE MASTER LOADING DOOR OUT THROUGH TOP OF INSERT ASSEMBLY AND REPLACE WITH NEW MASTER LOADING DOOR
- 7.** CLOSE MASTER LOADING DOORS AND REPLACE FOUR (4) 86229 8-32 STAINLESS STEEL TORX HEAD SCREWS. REPLACE ONE (1) 91061 TOP FRAME BRACE CONCEALING MASTER LOADING DOOR HINGES
- 8.** REPLACE INSERT ASSEMBLY (SEE INSTRUCTIONS PAGE 6)
- 9.** REPLACE HOLD OPEN MECHANISM (SEE INSTRUCTIONS PAGE 4)

REQUIRED TOOLS
T-15 TORX HEAD SCREWDRIVER/BIT
PORTABLE DRILL
PLIERS

PART #	DESCRIPTION
86229	8-32 X .75" SS TORX HEAD SCREW
91061	TOP FRAME BRACE
91135	RIGHT MLD ASSEM. FOR TYPE III
91140	LEFT MLD ASSEM. FOR TYPE III
91145	RIGHT MLD ASSEM. FOR TYPES I, II
91150	LEFT MLD ASSEM. FOR TYPE I
91190	LEFT MLD ASSEM. FOR TYPE II
91210	LEFT MLD ASSEM. FOR TYPE IV
91220	RIGHT MLD ASSEM. FOR TYPE IV

REPLACEMENT OF MASTER LOADING DOOR



REPLACEMENT OF HINGE ROD

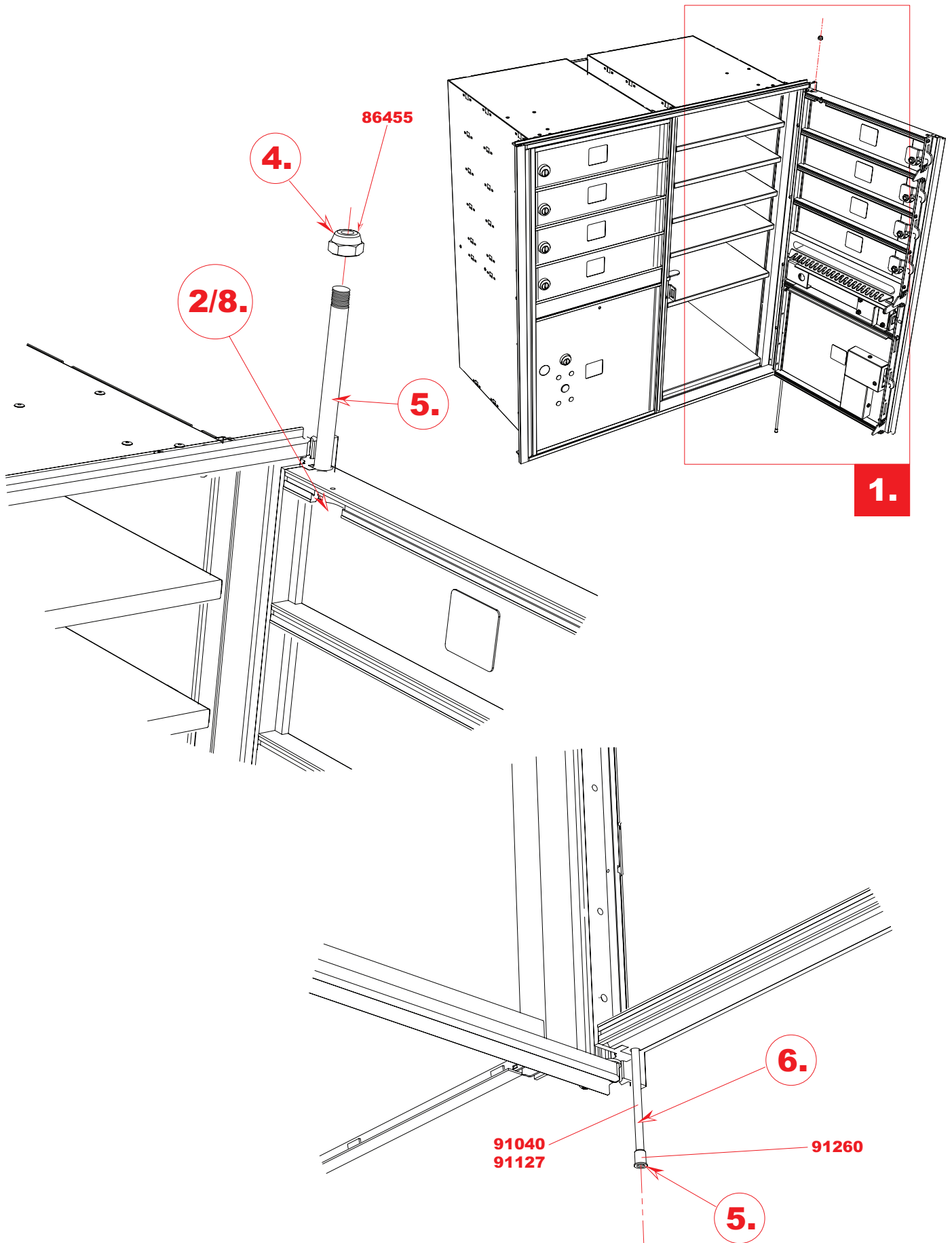
TYPES I, II, III AND IV

- 1.** OPEN MASTER LOADING DOOR
- 2.** DISENGAGE HOLD OPEN MECHANISM FROM TOP OF MASTER LOADING DOOR (SEE INSTRUCTIONS PAGE 4)
- 3.** COMPLETELY OPEN MASTER LOADING DOOR SO THAT THE HINGE PIN IS VISIBLE / AND OR COMPLETELY REMOVE INSERT ASSEMBLY (SEE INSTRUCTIONS PAGE 6)
- 4.** REMOVE ONE (1) 86455 10-32 HEX LOCK NUT
- 5.** WITH THE HAMMER AND 1/8" ROD, TAP THE HINGE ROD TO DISLODGE THE 91260 THREADED INSERT
- 6.** PULL OUT HINGE ROD WITH PLIERS FROM THE BOTTOM
- 7.** REPLACE HINGE ROD BY REVERSING STEPS 4-6, USING A CORDLESS DRILL ATTACHED TO THE HINGE ROD TO EASE THE INSERTION INTO THE MASTER LOADING DOOR (IF NECESSARY)
- 8.** REPLACE HOLD OPEN MECHANISM (SEE INSTRUCTIONS PAGE 4)

WARNING: DOORS CAN FALL OUT WITH HINGE PIN REMOVED.

REQUIRED TOOLS		PART #	DESCRIPTION
1/8" ROD		86455	10-32 HEX LOCK NUT
PORTABLE DRILL		91040	HINGE ROD (TYPE III AND IV)
HAMMER		91127	HINGE ROD (TYPE I AND II)
PLIERS		91260	THREADED INSERT

REPLACEMENT OF HINGE ROD



REPLACEMENT OF RIGHT SIDE PATRON COMPARTMENT DOOR TYPES I, II, III, AND IV

1. OPEN MASTER LOADING DOOR

6. REPLACE HOLD OPEN MECHANISM (SEE INSTRUCTIONS PAGE 4)

2. DISENGAGE HOLD OPEN MECHANISM FROM TOP OF MASTER LOADING DOOR (SEE INSTRUCTIONS PAGE 4)

7. INSTALL PARTON LOCK ASSEMBLY (SEE INSTRUCTIONS PAGE 22)

3. REMOVE HINGE ROD (SEE INSTRUCTIONS - PAGE 10)

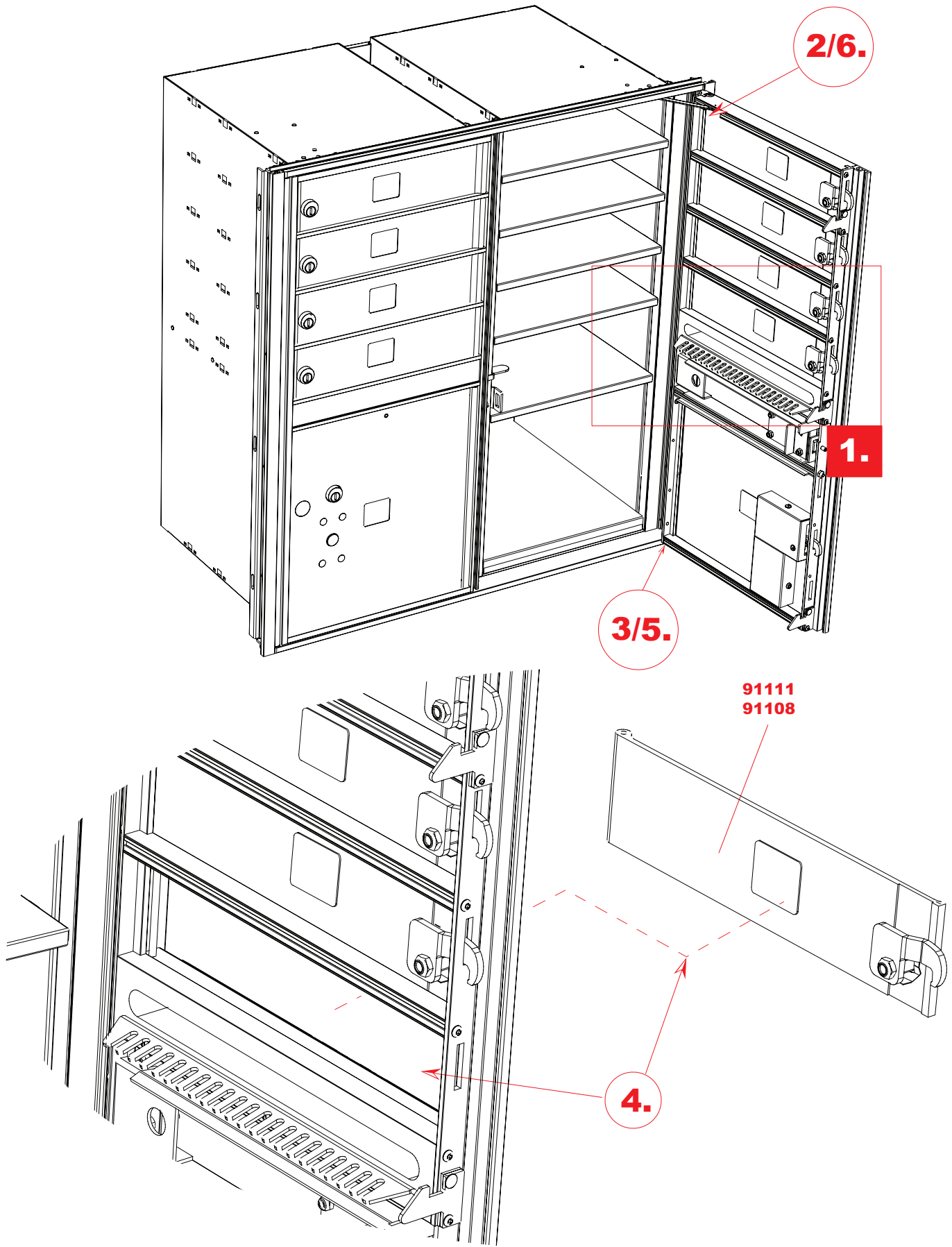
4. REPLACE COMPARTMENT DOOR 91111 FOR TYPE I, II, AND III, OR 91108 FOR TYPE IV

5. REINSTALL HINGE ROD (SEE INSTRUCTIONS - PAGE 10)

REQUIRED TOOLS
1/8" ROD
PORTABLE DRILL
HAMMER
PLIERS

PART #	DESCRIPTION
91040	HINGE ROD (TYPE III AND IV)
91108	5" COMPARTMENT DOOR
91111	3" COMPARTMENT DOOR
91127	HINGE ROD (TYPE I AND II)

REPLACEMENT OF RIGHT SIDE PATRON COMPARTMENT DOOR

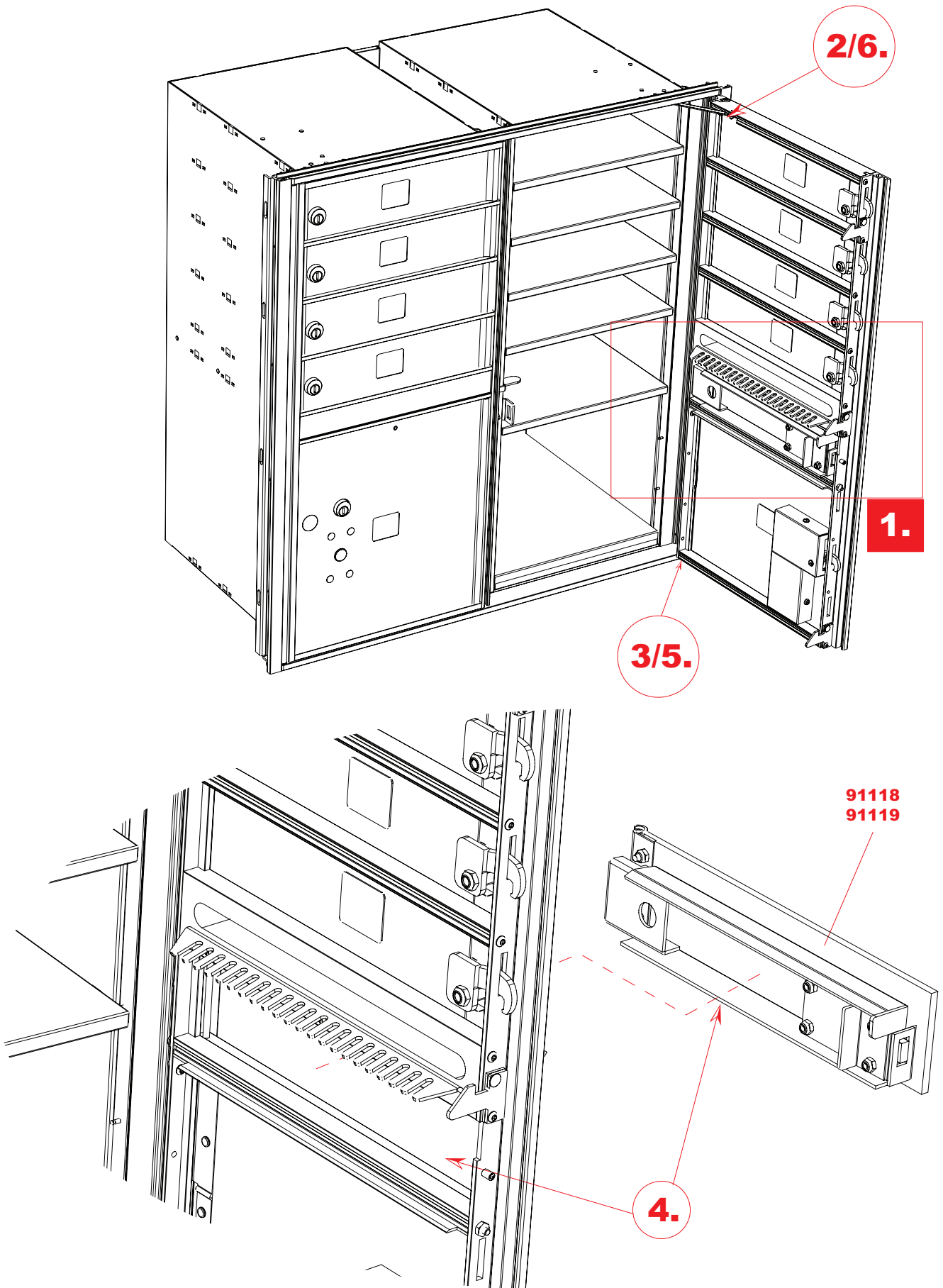


REPLACEMENT OF ARROW LOCK DOOR TYPES I, II, III AND IV

- 1.** OPEN MASTER LOADING DOOR
- 2.** DISENGAGE HOLD OPEN MECHANISM FROM TOP OF MASTER LOADING DOOR (SEE INSTRUCTIONS PAGE 4)
- 3.** REMOVE HINGE ROD (SEE INSTRUCTIONS PAGE 10)
- 4.** REPLACE COLLECTION DOOR 91118 FOR TYPES I, II, AND III, OR 91119 FOR TYPE IV
- 5.** REINSTALL HINGE ROD (SEE INSTRUCTIONS PAGE 10)
- 6.** REPLACE HOLD OPEN MECHANISM (SEE INSTRUCTIONS PAGE 4)
- 7.** INSTALL ARROW LOCK (SEE INSTRUCTIONS PAGE 24)

REQUIRED TOOLS	PART #	DESCRIPTION
1/8" ROD	91040	HINGE ROD (TYPE III AND IV)
PORTABLE DRILL	91118	3" COLLECTION DOOR
HAMMER	91119	5" COLLECTION DOOR
PLIERS	91127	HINGE ROD (TYPE I AND II)

REPLACEMENT OF ARROW LOCK DOOR

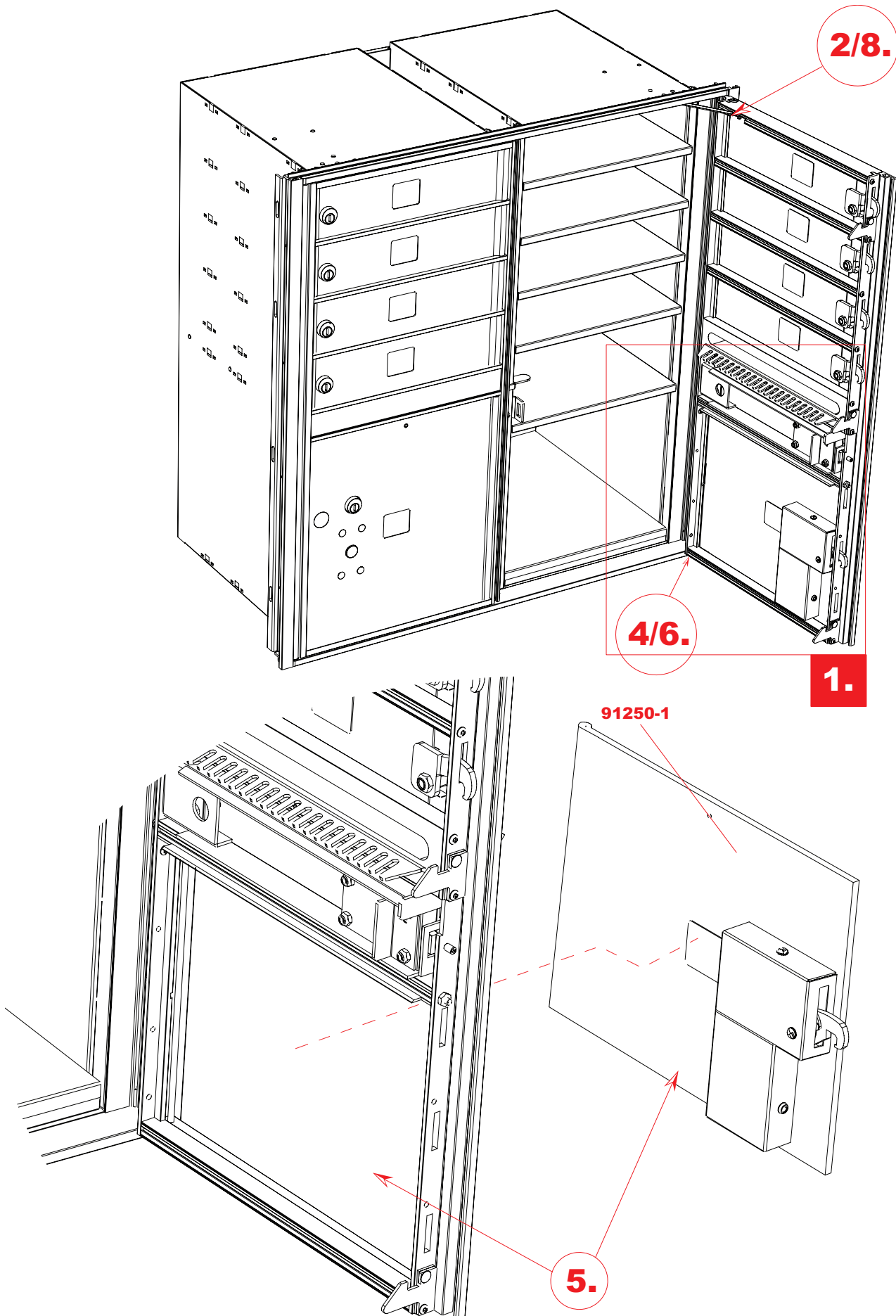


REPLACEMENT OF RIGHT SIDE PARCEL DOOR TYPES I, II, III AND IV

- 1.** OPEN MASTER LOADING DOOR
- 7.** REPLACE PARCEL DOOR SPRING (SEE INSTRUCTIONS PAGE 30)
- 2.** DISENGAGE HOLD OPEN MECHANISM (SEE INSTRUCTIONS PAGE 4)
- 8.** REPLACE HOLD OPEN MECHANISM (SEE INSTRUCTIONS PAGE 4)
- 3.** REMOVE PARCEL DOOR SPRING (SEE INSTRUCTIONS PAGE 30)
- 9.** INSTALL LOCK MECHANISM (SEE INSTRUCTIONS PAGE 28)
- 4.** REMOVE HINGE ROD (SEE INSTRUCTIONS PAGE 10)
- 5.** REPLACE PARCEL DOOR 91250-1
- 6.** REINSTALL HINGE ROD (SEE INSTRUCTIONS PAGE 10)

REQUIRED TOOLS	PART #	DESCRIPTION
1/8" ROD	91040	HINGE ROD (TYPE III AND IV)
PORTABLE DRILL	91250-1	PARCEL DOOR ASSEMBLY
HAMMER	91127	HINGE ROD (TYPE I AND II)
PLIERS		

REPLACEMENT OF RIGHT SIDE PARCEL DOOR

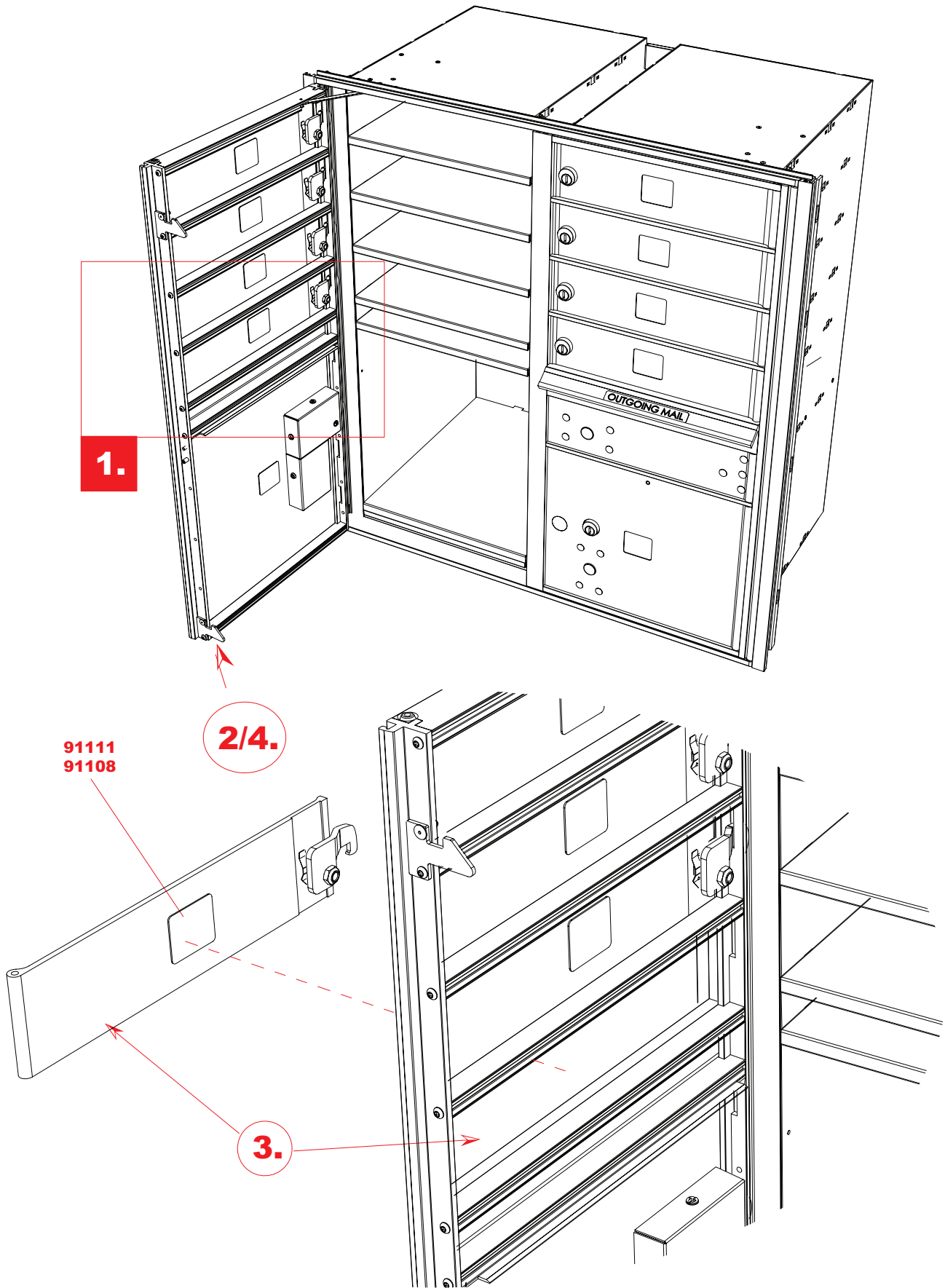


REPLACEMENT OF LEFT SIDE PATRON COMPARTMENT DOOR TYPES I, II, III, AND IV

- 1.** COMPLETELY OPEN LEFT SIDE MASTER DOOR SO THAT THE HINGE ROD IS VISIBLE
- 2.** REMOVE HINGE ROD (SEE INSTRUCTIONS PAGE 10)
- 3.** REPLACE COMPARTMENT DOOR 91111 FOR TYPE I, II, AND III, OR 91108 FOR TYPE IV
- 4.** REINSTALL HINGE ROD (SEE INSTRUCTIONS PAGE 10)
- 5.** INSTALL LOCK MECHANISM (SEE INSTRUCTIONS PAGE 22)

REQUIRED TOOLS	PART #	DESCRIPTION
1/8" ROD	91040	HINGE ROD (TYPE III AND IV)
PORTABLE DRILL	91108	5" COMPARTMENT DOOR
HAMMER	91111	3" COMPARTMENT DOOR
PLIERS	91127	HINGE ROD (TYPE I AND II)

REPLACEMENT OF LEFT SIDE PATRON COMPARTMENT DOOR



REPLACEMENT OF LEFT SIDE PARCEL DOOR TYPES I AND III

1. COMPLETELY OPEN LEFT SIDE MASTER DOOR SO THAT THE HINGE ROD IS VISIBLE

2. REMOVE HINGE ROD (SEE INSTRUCTIONS PAGE 10)

3. REPLACE PARCEL DOOR 91257-1

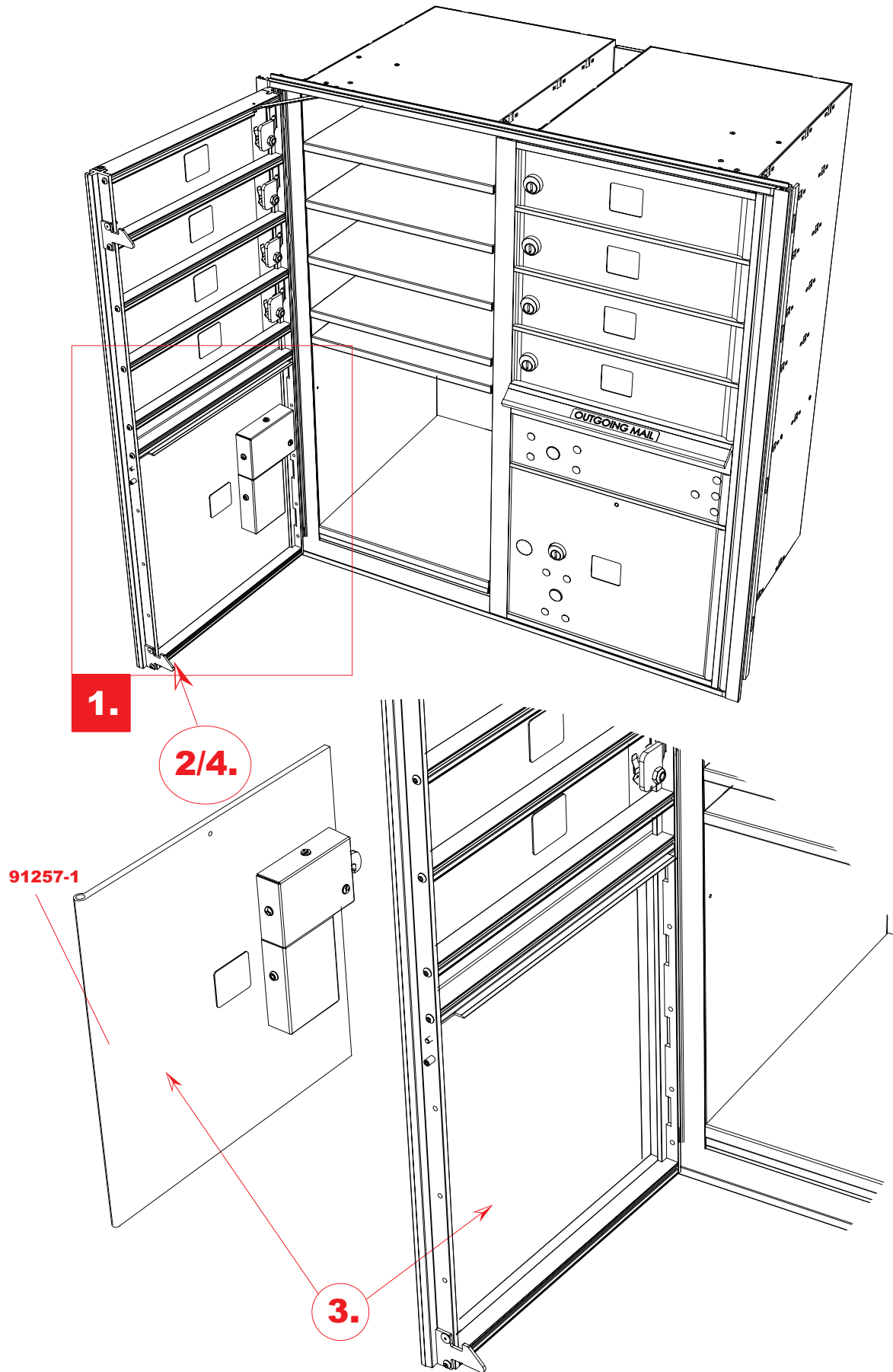
4. REINSTALL HINGE ROD (SEE INSTRUCTIONS PAGE 10)

4. REPLACE PARCEL DOOR SPRING (SEE INSTRUCTIONS PAGE 30)

4. INSTALL LOCK MECHANISM (SEE INSTRUCTIONS PAGE 28)

REQUIRED TOOLS	PART #	DESCRIPTION
1/8" ROD	91040	HINGE ROD (TYPE III AND IV)
PORTABLE DRILL	91257-1	PARCEL DOOR ASSEMBLY
HAMMER	91127	HINGE ROD (TYPE I AND II)
PLIERS		

REPLACEMENT OF LEFT SIDE PARCEL DOOR



REPLACEMENT OF PATRON LOCK

TYPES I, II, III, AND IV

- 1.** OPEN PATRON COMPARTMENT DOOR

- 2.** REMOVE 5/16-24 LOCK NUT AND CAM
92051

- 3.** REMOVE CLIP WITH PLIERS (PULL
DOWN) FROM BACK OF COMPARTMENT
DOOR AND REMOVE PATRON LOCK
M206580172N90JJ

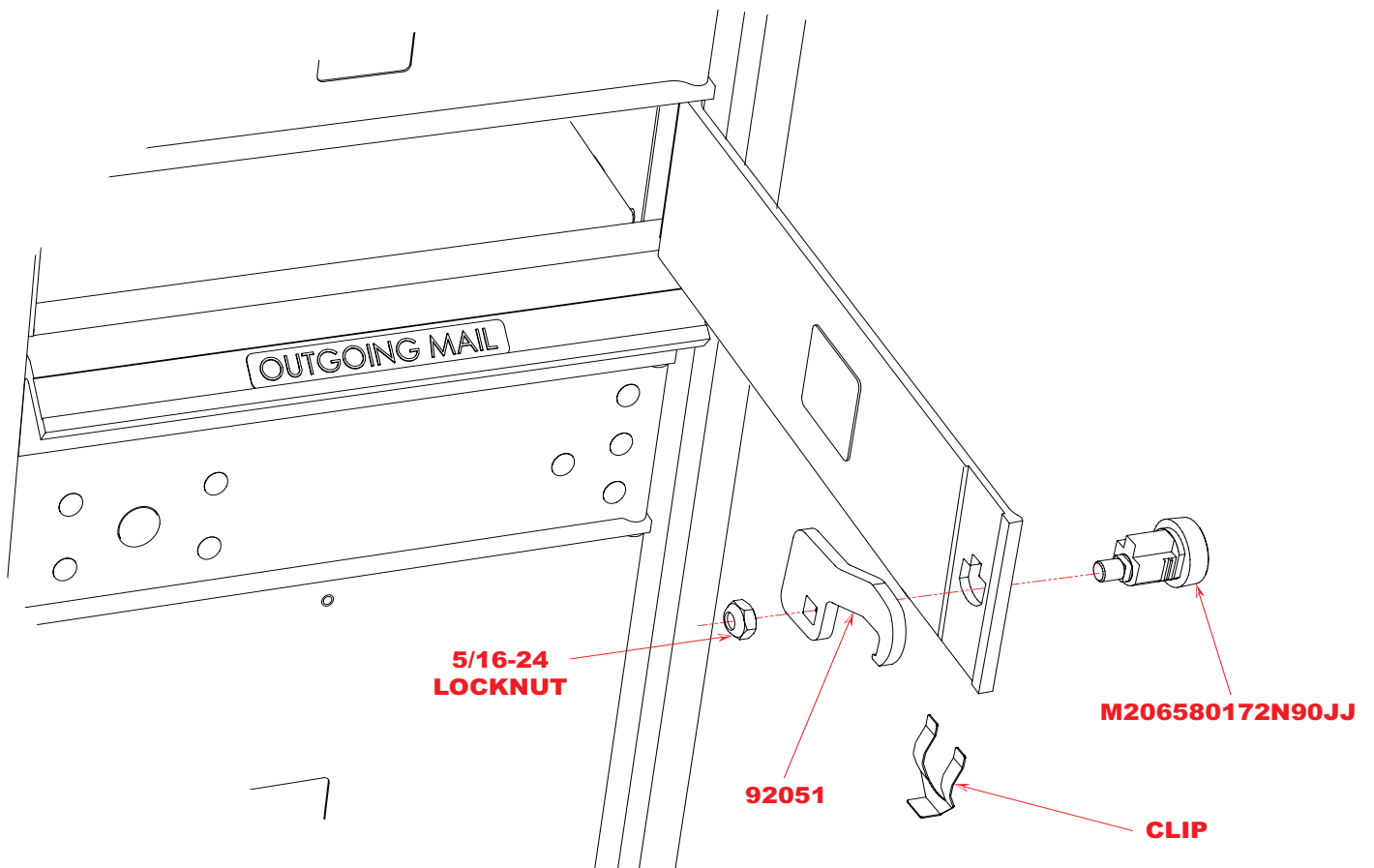
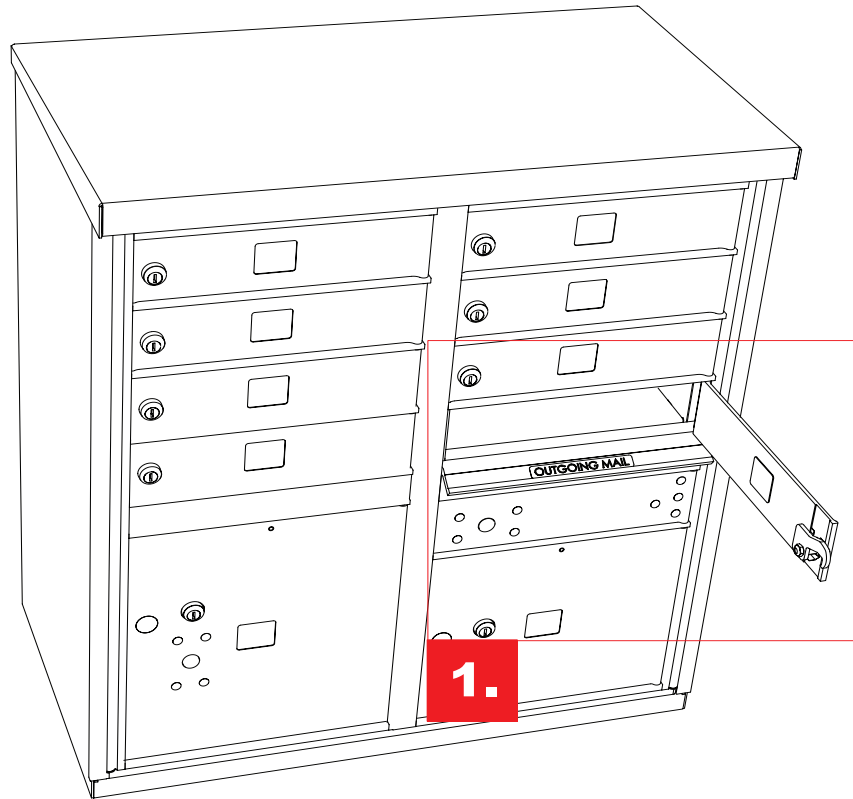
- 4.** INSTALL NEW PATRON LOCK
M206580172N90JJ WITH CLIP

- 5.** INSTALL NEW CAM AND TIGHTEN 5/16-
24 LOCK NUT

REQUIRED TOOLS
1/2" SOCKET WRENCH
PLIERS

PART #	DESCRIPTION
	CLIP (INCLUDED IN LOCK ASSEMBLY)
M206580172N90JJ	COMPARTMENT DOOR LOCK ASSEMBLY
92051	LOCK CAM
	5/16-24 LOCK NUT (INCLUDED IN LOCK ASSEMBLY)

REPLACEMENT OF PATRON LOCK



REPLACEMENT OF ARROW LOCK

TYPES I, II, III, AND IV

- 1.** OPEN ARROW LOCK DOOR

- 2.** REMOVE FOUR (4) 86091 10-32 LOCK NUTS AND 92303 PLATE - LOCK SUPPORT

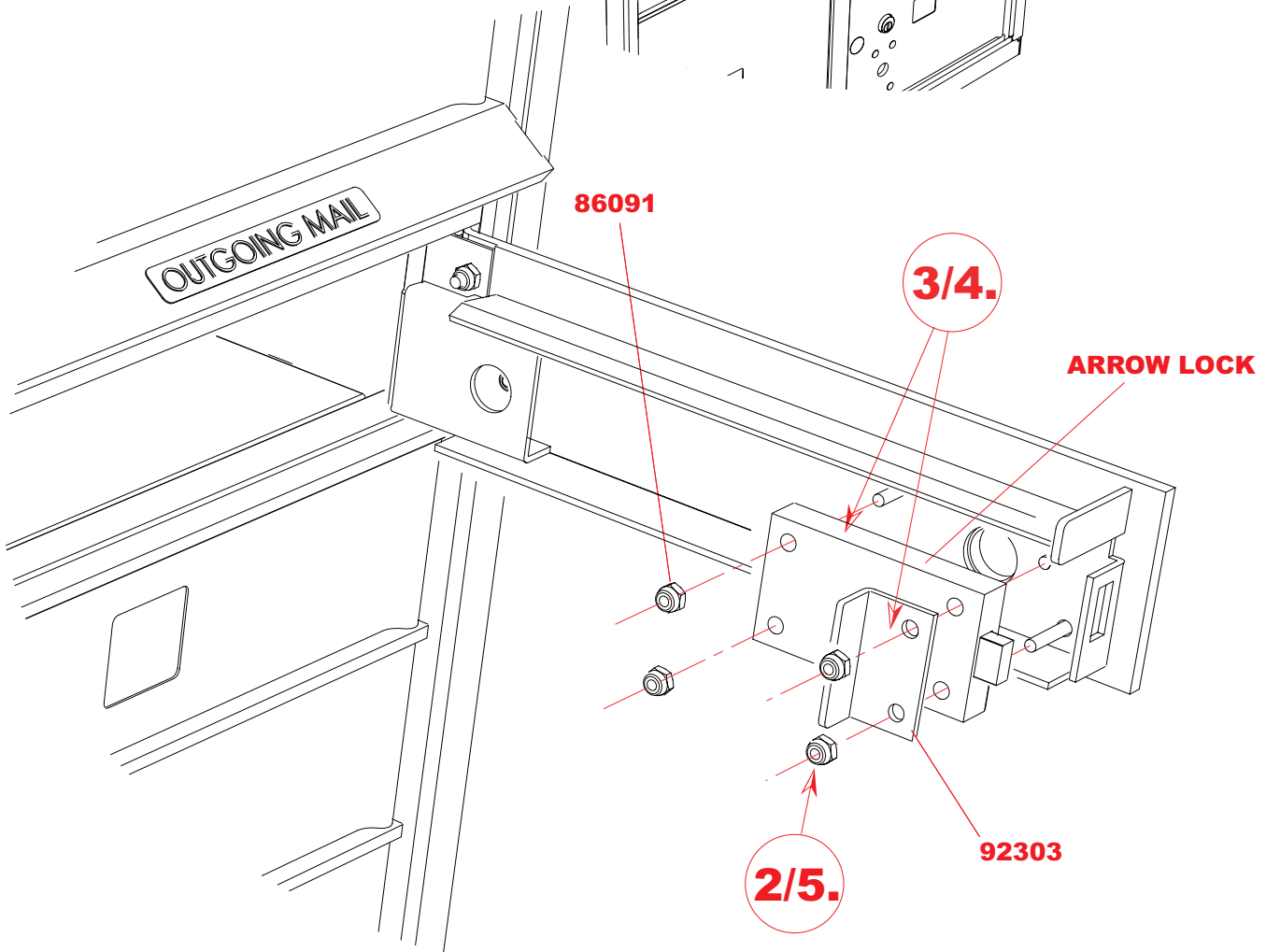
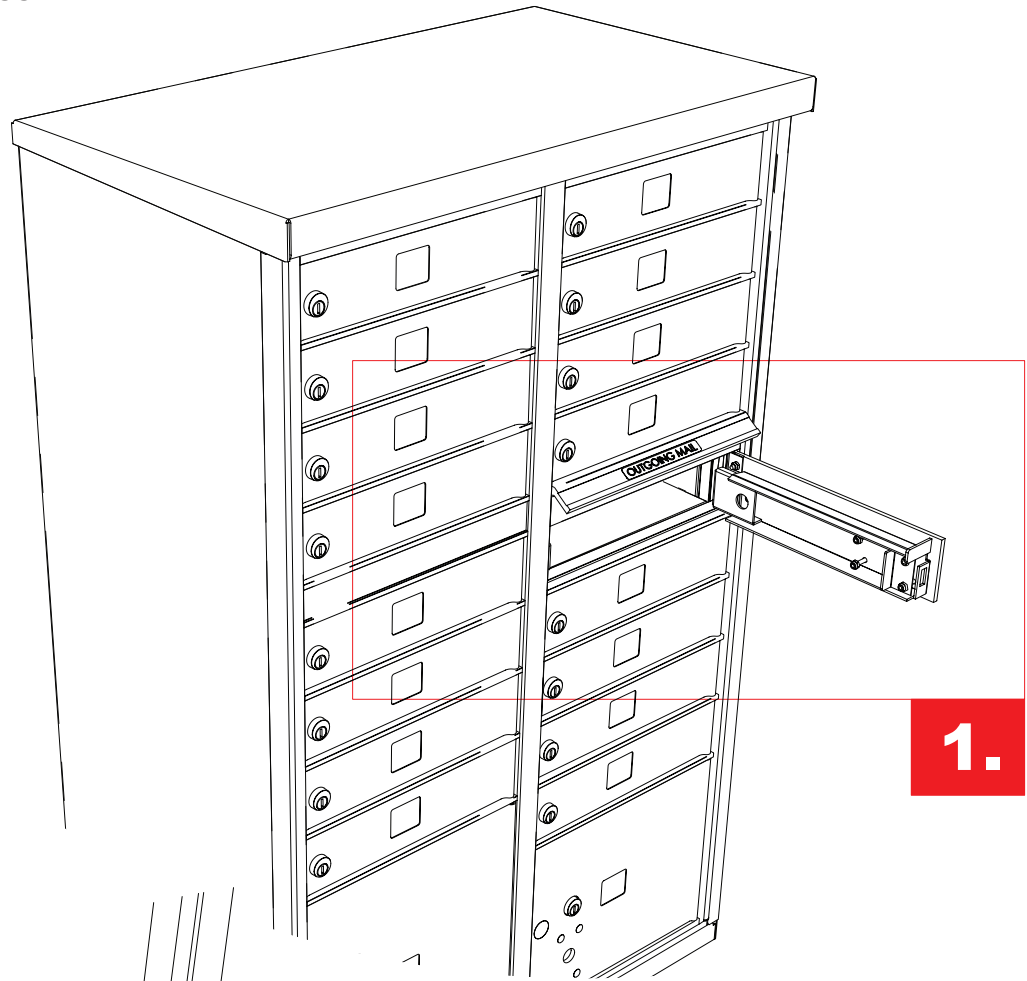
- 3.** REPLACE ARROW LOCK INTO POSITION

- 4.** INSTALL 92303 PLATE - LOCK SUPPORT AS SHOWN

- 5.** REPLACE FOUR (4) 86091 10-32 LOCK NUTS

REQUIRED TOOLS	PART #	DESCRIPTION
3/8" SOCKET WRENCH	86091	10-32 LOCK NUT
PLIERS	92303	PLATE - LOCK SUPPORT
		ARROW LOCK

REPLACEMENT OF ARROW LOCK

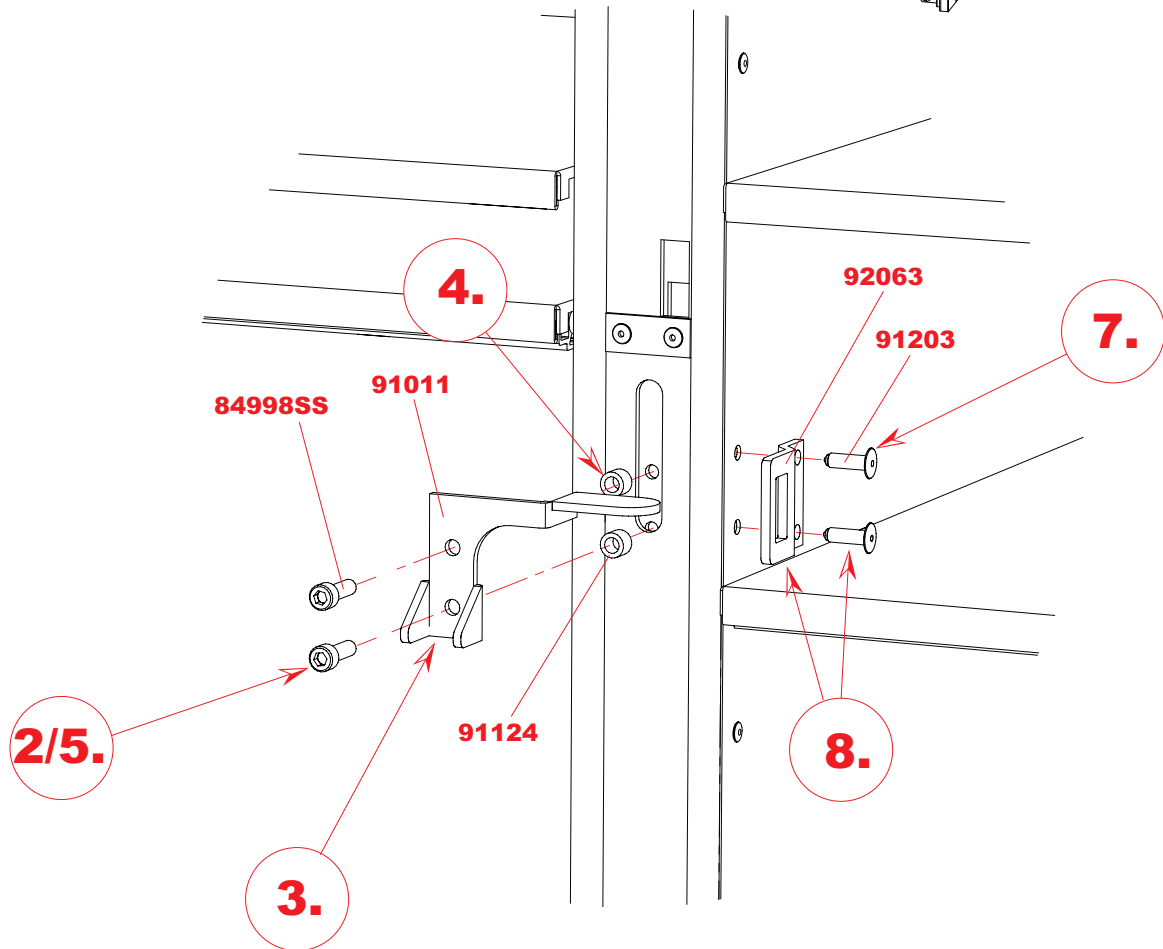
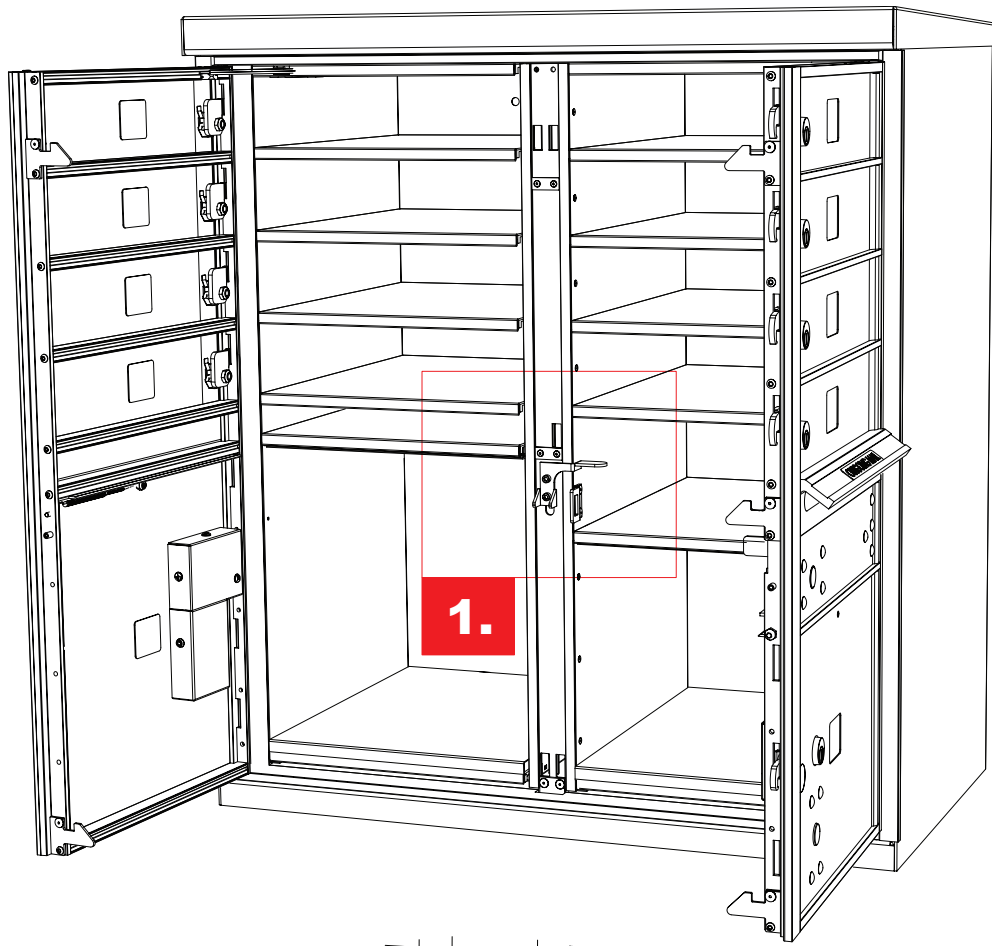


REPLACEMENT OF ARROW LOCK LATCH/SLIDE HANDLE TYPES I, II, III, AND IV

- 1.** OPEN BOTH MASTER DOORS
- 2.** **REPLACE HANDLE ASSEMBLY**
REMOVE TWO (2) 84998SS 10-32 X .865 SHC SCREW
- 3.** REMOVE LATCH RELEASE BRACKET 91011
- REPLACE WITH NEW LATCH RELEASE BRACKET
- 4.** REPLACE TWO (2) 91124 SHOULDER BUSHINGS
- 5.** ALIGN WITH MOUNTING HOLES AND
REPLACE TWO (2) 84998SS 10-32 X .865 SHC SCREW
- 6.** CHECK FOR FIT/FUNCTION
- 7.** **REPLACE MLD LATCH CATCH**
DRILL OUT TWO (2) 91203 POP RIVETS
- 8.** REMOVE/REPLACE 92063 LOCK BRACKET - REPLACE TWO (2) 91203 POP RIVETS
- 9.** CHECK FOR FIT/FUNCTION

REQUIRED TOOLS	PART #	DESCRIPTION
5/32" HEX BIT/ALLEN WRENCH	84998SS	10-32 X .865" SHC SCREW
PORTABLE DRILL	91011	RELEASE BRACKET
1/8" DRILL BIT	91203	.250" DIA SS POP RIVET
PORTABLE POP RIVET GUN	91124	BUSHING
	92063	LOCK BRACKET

REPLACEMENT OF ARROW LOCK LATCH/SIDE HANDLE



REPLACEMENT OF PARCEL LOCK ASSEMBLY

TYPES I, II, III, AND IV

1. OPEN PARCEL DOOR, #1P ON TYPE I, TYPE II, TYPE III AND TYPE IV AND / OR #2P ON TYPE I AND TYPE III.

2. **TO REMOVE/REPLACE COVERS:**

A. REMOVE OR REPLACE PARCEL LOCK COVER 91255 USING THREE (3) 84995 8-32 X .250 1-WAY TAMPERPROOF SCREW

B: TO ACCESS ARROW LOCK REMOVE PARCEL LOCK COVER 91259 BY REMOVING TWO (2) 84993 10-32 X .312" MCGARD SCREWS USING POSTAL MES NO. 110050 MCGARD SCREW DRIVER.

3. **TO REMOVE/REPLACE ARROW LOCK:**

A. REMOVE FOUR (4) 86091 10-32 LOCK NUTS - REMOVE ARROW LOCK

B. REPLACE NEW ARROW LOCK - REPLACE FOUR (4) 86091 10-32 LOCK NUTS

4. **TO REMOVE/REPLACE PARCEL LOCK CAM ASSEMBLY:**

A. REMOVE ONE (1) 5/16-24 LOCK NUT (INCLUDED IN LOCK ASSEMBLY)

B. REMOVE ONE (1) 91620 3/8-24 HEX NUT

C. REPLACE ONE (1) 5/16-24 LOCK NUT (INCLUDED IN LOCK ASSEMBLY)

D. REPLACE ONE (1) 91620 3/8-24 HEX NUT

5. **TO REMOVE/REPLACE PARTON LOCK:**

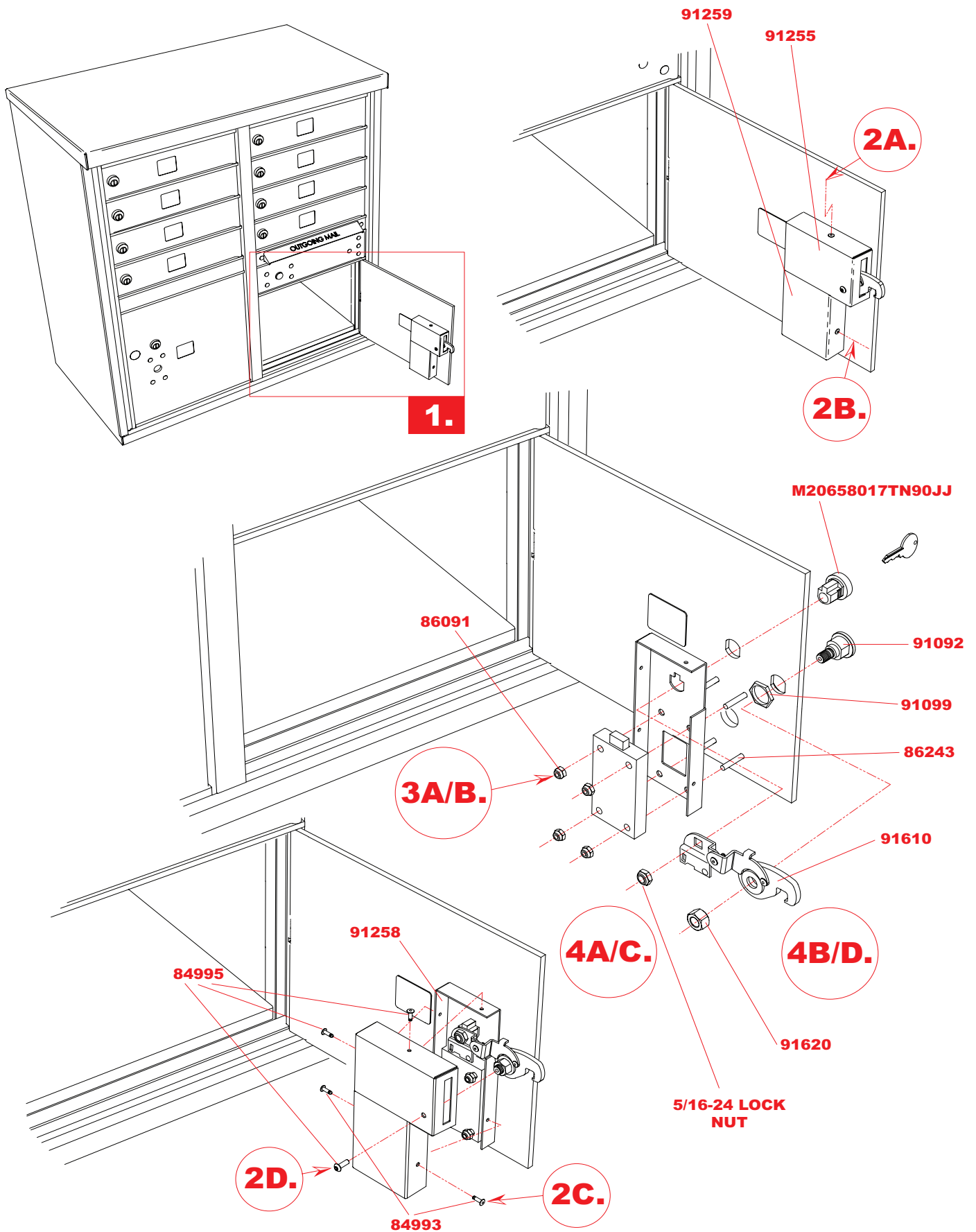
A. REMOVE ONE (1) 5/16-24 LOCK NUT (INCLUDED WITH LOCK ASSEMBLY). REMOVE ONE (1) LOCK CLIP AND LOCK.

B. REPLACE NEW LOCK - REPLACE ONE (1) LOCK CLIP AND ONE (1) 5/16-24 LOCK NUT (INCLUDED WITH LOCK ASSEMBLY).

REQUIRED TOOLS
9/16" SOCKET WRENCH
1/2" SOCKET WRENCH
MCGARD SCREW DRIVER
1-WAY REMOVAL SCREWDRIVER
STANDARD SCREWDRIVER

PART #	DESCRIPTION
84993	10-32 X .312" UNF-2A 18-8 SS PASSIVATED MCGARD SCREW
84995	8-32 x .250" UNF-2A 18-8 SS PASSIVATED 1-WAY TAMPERPROOF SCREW
86243	10-32 PRESS FIT CARRIAGE BOLT
86091	10-32 LOCK NUT
M206580 17TN90JJ	CUSTOMER DOOR LOCK ASSEMBLY
91092	PARCEL DOOR BEARING
91099	PARCEL DOOR LOCK PLUG NUT
91255	COVER - LATCHING ASSEMBLY
91258	PARCEL LOCK MOUNTING PLATE
91259	COVER - ARROW LOCK
91610	LOCK ASSEMBLY - PARCEL
	5/16-24 LOCK NUT (INCL. WITH M20658017TN90JJ)
91620	3/8-24 HEX NUT

REPLACEMENT OF PARCEL LOCK ASSEMBLY



REPLACEMENT OF PARCEL DOOR SPRING TYPES I, II, III AND IV

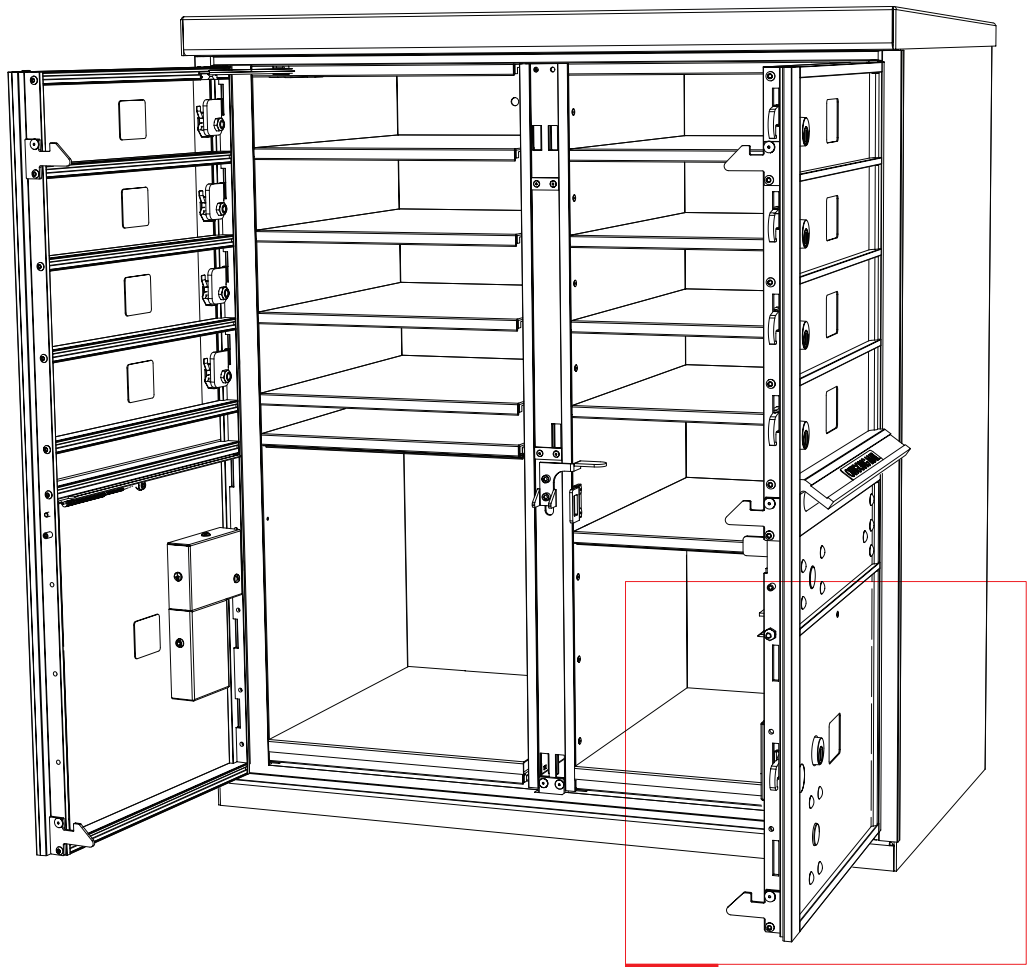
- 1.** OPEN MASTER LOADING DOOR

- 2.** PLACE ONE END OF PARCEL DOOR SPRING 86431 OVER THREADED POST ON PARCEL DOOR AND TIGHTEN ONE (1) 86092 8-32 LOCK NUT

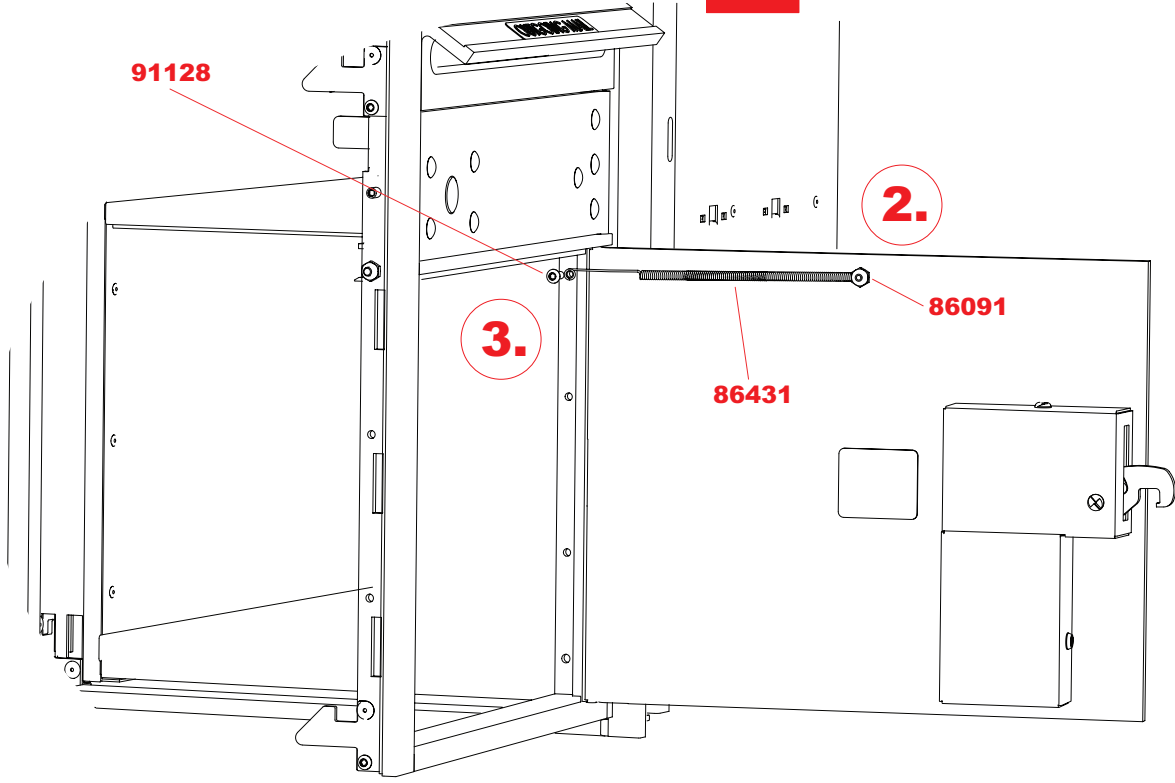
- 3.** INSERT OPPOSITE END OF SPRING THROUGH ONE (1) 91128 8-32 X 0.375 TAPTITE TORX HEAD SCREW AND TIGHTEN TO FRAME AS SHOWN

REQUIRED TOOLS	PART #	DESCRIPTION
HAMMER	86092	8-32 LOCK NUT
T-15 TORX HEAD SCREWDRIVER/BIT	86431	PARCEL DOOR SPRING
PLIERS	91128	8-32 x 0.375 TAPTITE TORX HEAD
11/32" SOCKET WRENCH		

REPLACEMENT OF PARCEL DOOR SPRING



1.



REPLACEMENT OF SHELF

TYPES I, II, III AND IV

- 1.** OPEN MASTER LOADING DOORS

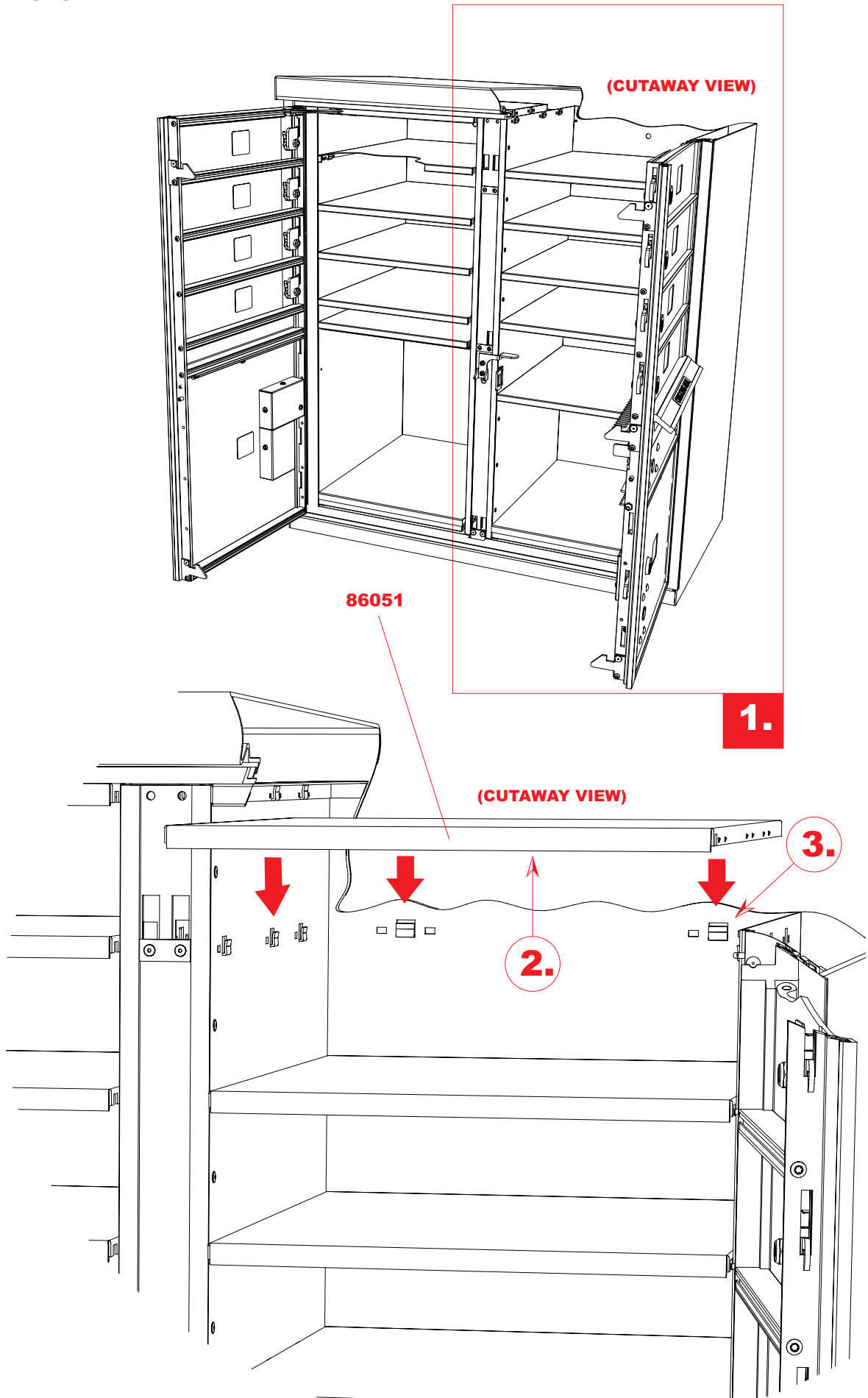
- 2.** WITH A HAMMER APPLY FORCE UNDERNEATH THE SHELF TO BE REMOVED, DISLODGING IT FROM THE METAL SNAPS HOLDING IT TO THE INSERT PANEL. LIFT AND PULL TOWARD FRONT OF CBU

- 3.** TO REPLACE THE SHELF, PLACE IT ABOVE THE METAL SNAPS, ALIGN IT FRONT TO BACK, AND APPLY FORCE WITH A HAMMER TO SNAP THE SHELF BACK INTO PLACE

THIS PROCEEDURE WILL NOT WORK FOR THE SHELF ABOVE A PARCEL LOCKER.

REQUIRED TOOLS	PART #	DESCRIPTION
HAMMER	86051	SHELF

REPLACEMENT OF SHELF



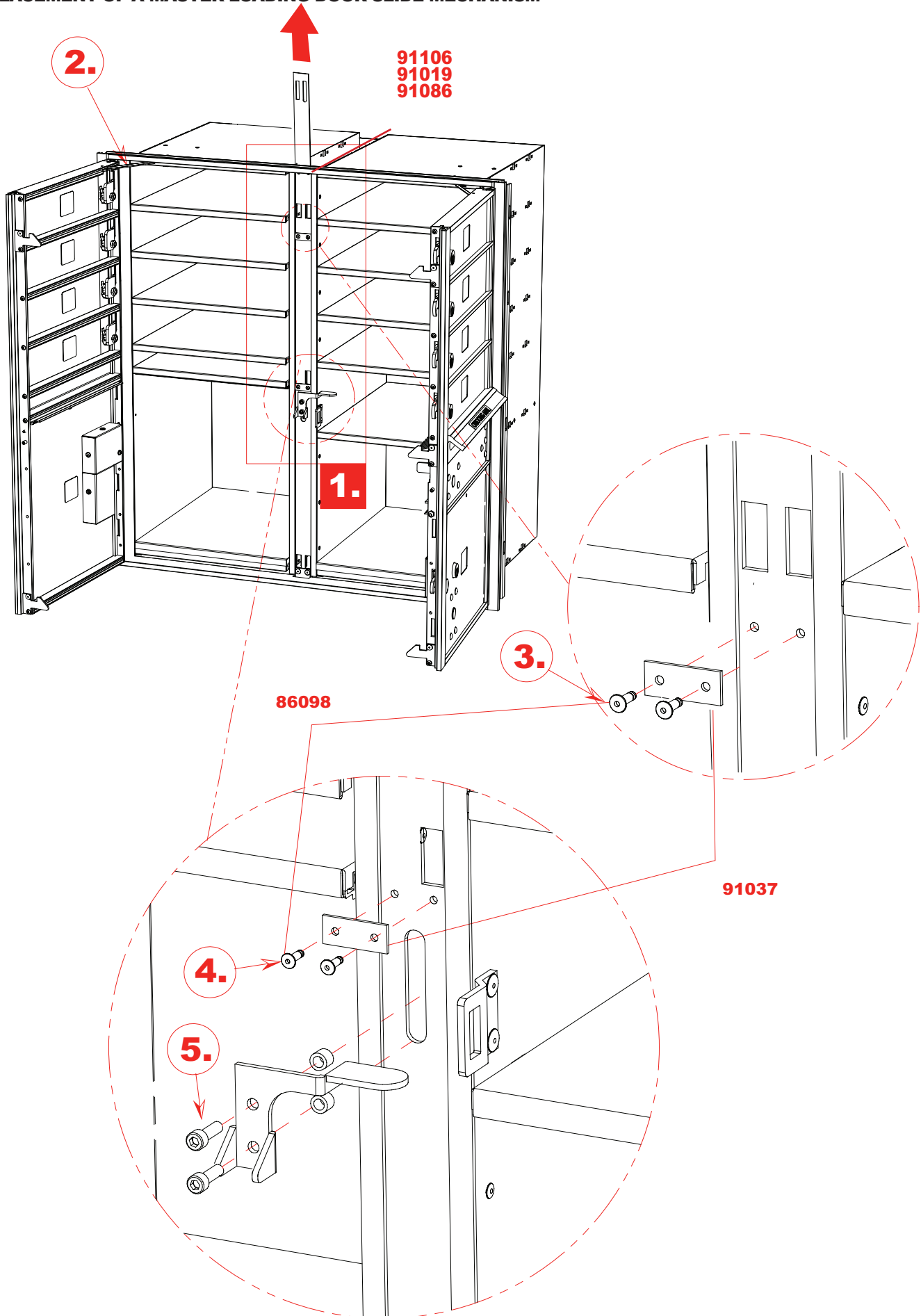
REPLACEMENT OF MASTER LOADING DOOR SLIDE MECHANISM TYPES I, II, III AND IV

- 1.** OPEN MASTER LOADING DOORS
- 2.** COMPLETELY REMOVE INSERT ASSEMBLY
(SEE INSTRUCTIONS - PAGE 6)
- 3.** DRILL OUT TWO (2) 86098 1/8" POP RIVETS AT TOP OF SLIDE MECHANISM AND REMOVE WEAR PLATE
- 4.** DRILL OUT TWO (2) 86098 1/8" POP RIVETS NEAR ARROW LATCH AND REMOVE WEAR PLATE
- 5.** REMOVE ARROW LATCH HANDLE (SEE INSTRUCTIONS PAGE 26)
- 6.** REMOVE THE OLD SLIDE FROM THE TOP OF THE INSERT ASSEMBLY
- 7.** REPLACE SLIDE MECHANISM AND REVERSE STEPS 1-6

REQUIRED TOOLS
CORDLESS DRILL
PORTABLE POP RIVET GUN
1/8" DRILL BIT
3/16" DRILL BIT
5/32" HEX BIT/ALLEN WRENCH

PART #	DESCRIPTION
86098	1/8" DIA X .328" L POP RIVET SS
91019	SLIDE MECH. FOR TYPE III
91037	WEAR PLATE
91086	SLIDE MECH FOR TYPE I, II
91106	SLIDE MECH. FOR TYPE IV

REPLACEMENT OF A MASTER LOADING DOOR SLIDE MECHANISM



REPLACEMENT OF PEDESTAL TYPES I, II, III AND IV

1. OPEN MASTER LOADING DOORS

6. TO REPLACE CBU CABINET, REVERSE STEPS 1-4

2. REMOVE LEFT AND RIGHT SIDE 91079 FLOATING SHELVES, EXPOSING MOUNTING HOLES

WARNING: 2 PEOPLE REQUIRED TO REMOVE CABINET FROM PEDESTAL, UNIT IS FRONT HEAVY.

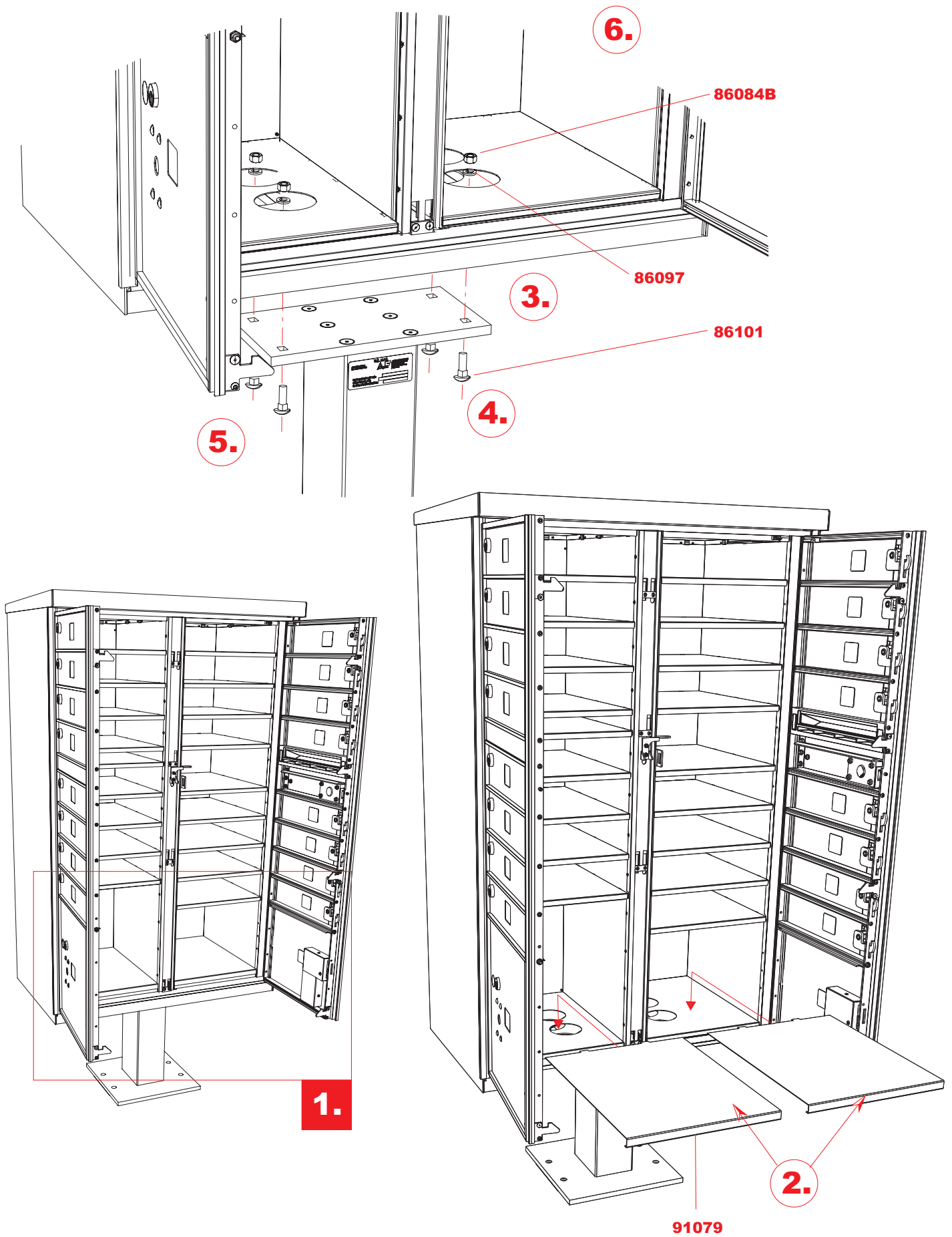
3. REMOVE FOUR (4) 86089B 3/8-16 HEX NUTS AND FOUR (4) 86097 3/8" X .688 OD LOCK WASHERS

4. FROM UNDERNEATH UNIT, REMOVE FOUR (4) 86101 3/8-16 X 1.25 CARRIAGE BOLTS

5. UNBOLT UNIT FROM GROUND
REPLACE PEDESTAL AND MOUNT TO GROUND

REQUIRED TOOLS		PART #	DESCRIPTION
9/16" SOCKET WRENCH		86089B	3/8-16 HEX NUT
		86101	3/8-16 X 1.25 CARRIAGE BOLT
		91079	FLOATING SHELF
		91129	PEDESTAL FOR TYPE I, II
		91121	PEDESTAL FOR TYPE III, IV
		86097	3/8" X .688 OD LOCK WASHER

REPLACEMENT OF A PEDESTAL



Part#	Description	QTY Type 1	QTY Type 2	QTY Type 3	QTY Type 4
14707	BOLT-CARRIAGE 10-32 X 1.5	2	2	2	2
30807	CLIP-LOCK	10	13	18	14
30697	RIVET TUBULAR .125 X .250 SS	2	1	2	1
30997	RIVET TUBULAR .125 X .312 SS	2	1	2	1
84500	LABEL LOCK & KEY	1	1	1	1
84993	SCREW- 10-32 X .312 MCGARD	4	2	4	2
84994	SCREW- 10-32 X .375 ONE WAY	4	2	4	2
84995	SCREW- 8-32 X .25 ONE WAY	2	1	2	1
84998SS	SCREW 10-32 X .62	2	2	2	2
86051	SHELF-CENTER	10	13	18	14
86089B	NUT-HEX 3/8-16	4	4	4	4
86091	NUT-LOCK 10-32 W/NYLON SS	18	14	20	14
86092	NUT-LOCK 8-32 W/NYLON SS	2	1	2	1
86097	WASHER-LOCK	4	4	4	4
86098	RIVET-POP .125 X .328	75	65	92	67
86101	BOLT-CARRIAGE 3/8-16 X 1.25	4	4	4	4
86130	PLATE-OUTGOING MAIL	1	1	1	1
86159	CARD KEY TAG	6	3	6	3
86160	KEY TAG CLEAR	6	3	6	3
86229	SCREW 8-32 X .75	40	44	54	46
86231	SCREW-SHOULDER 6-32 X .187 SS	2	2	2	2
86243	BOLT-CARRIAGE 10-32 X 1.25	10	6	10	6
86262	SHELF-TOP RT	1	1	1	1
86265	LATCH-HOLD OPEN RT	1	1	1	1
86266	SHELF-TOP LT.	1	1	1	1
86267	LATCH-HOLD OPEN LT	1	1	1	1
86274	SHELF ASSY-TOP RT	1	1	1	1
86275	SHELF ASSY.-TOP LT	1	1	1	1
86279	GUARD-HOLD OPEN	2	2	2	2
86313	HINGE-COLLECTION DOOR 3"	1	1	1	
86323	SPACER-SHELF	2	1	2	1
86409	BOLT-CARRIAGE 10-32 X .625 SS	4	4	4	4
86410	SCREW- 8-32 X .625 PRESS FIT	2	1	2	1
86431	SPRING-PARCEL RETURN	2	1	2	1
86455	NUT-LOCK 10-32 SS	2	2	2	2
91001	INSERT PANEL ASSY-LT T3			1	
91002	INSERT PANEL ASSY-RT T3			1	
91003	CABINET ASSY-T3 & T4			1	1
91004	PANEL-INSERT T3 LT			1	
91005	PANEL-INSERT T3 RT			1	
91006	SHELF SUPPORT	2	1	2	1
91007	PLATE-JOINER	2	2	2	2
91008	PANEL-INSERT LT T1	1			
91009	PANEL-INSERT RT T1 & T2	1	1		
91010	MLD ASSY.-RT.	1	1		
91011	RELEASE-LATCH	1	1	1	1
91015	HOUSING-SLIDE T4				1
91018	HOUSING-SLIDE T3			1	
91019	SLIDE-LATCH T3			1	
91020	MLD ASSY.-LT T1	1			
91021	BRACKET-ARROW LOCK	1	1	1	1

Part#	Description	QTY Type 1	QTY Type 2	QTY Type 3	QTY Type 4
91023	DOOR-COLLECTION	1	1	1	
91027	SHELF-BTM. LEFT	1	1	1	1
91028	SHELF-BTM RT	1	1	1	1
91031	CROSSBAR-TOP RT	1	1	1	1
91032	CROSSBAR-BTM	2	2	2	2
91033	CROSSBAR-CTR.	6	9	13	10
91034	CROSSBAR-ANTI PRY	1	1	2	1
91035	HOOK-LATCH	5	5	6	6
91036	CROSSBAR-TOP LT	1	1	1	1
91037	PLATE-WEAR	2	2	3	3
91038	BUSHING	2	2	2	2
91040	PIN-HINGE T3 & T4			2	2
91042	HINGE-INNER RT T4				1
91043	HINGE-INNER LT T4				1
91044	LT SIDE OF RT MLD T4				1
91046	ACTUATOR	2	1	2	1
91047	DOOR SIDE-LT T3			1	
91048	RT SIDE OF LT MLD T3			1	
91049	HINGE-OUTER LT			1	1
91050	HINGE-INNER LT T3			1	
91053	HINGE-OUTER RT			1	1
91054	HINGE-INNER RT			1	
91055	SHIM-HOOK	3	3	4	4
91057	RIVET-POP 3/16 X 0.55 SS	11	11	12	12
91061	BRACE, TOP & BTM	2	2	2	2
91063	LATCHING BRACKET	1	1	1	1
91067	HOLD OPEN ARM	2	2	2	2
91070	CABINET ASSY-T1 & T2	1	1		
91072	WRAPPER-CABINET T1 & T2	1	1		
91073	BRACKET-MOUNTING LT.T1 & T2	1	1		
91074	BRACKET-MOUNTING RT.T1 & T2	1	1		
91075	BRACKET-MOUNT RT T3 & T4			1	1
91076	BRACKET-MOUNT LT T3&T4			1	1
91077	WRAPPER-CABINET T3 & T4			1	1
91079	SHELF-FLOATING	2	2	2	2
91080	SHELF ASSY.-BTM	1	1	1	1
91081	SHELF-BTM	1	1	1	1
91082	CHANNEL- BTM CABINET	2	2	2	2
91083	HOOK-CAM	2	1	2	1
91084	HINGE-OUTER RT T1 & T2	1	1		
91085	OUTER HINGE T1 & T2	1	1		
91086	SLIDE T1 & T2	1	1		
91087	HOUSING -SLIDE T1 & T2	1	1		
91088	HINGE-INNER LT T1 & T2	1	1		
91089	HINGE- INNER RT T1 & T2	1	1		
91090	MLD ASSY.-LT T3			1	
91092	BEARING-HOOK CAM	2	1	2	1
91095	LT SIDE OF RT MLD T1 & T2	1	1		
91096	RT SIDE OF LT MLD T1 & T2	1	1		
91099	NUT-HEX THIN 3/4-27	2	1	2	1
91100	MLD ASSY.-RT.T3			1	

Part#	Description	QTY Type 1	QTY Type 2	QTY Type 3	QTY Type 4
91103	BUMPER-SELF ADHESIVE	4	2	4	2
91105	RT SIDE OF LT MLD T4				1
91106	SLIDE T4				1
91107	DOOR-COLLECTION T4				1
91108	DOOR-COMPARTMENT T4				13
91110	MLD ASSY.-LT T2		1		
91111	DOOR-COMPARTMENT	8	12	16	
91112	PANEL-INSERT T2		1		
91113	PANEL INSERT LT T4				1
91114	INSERT PANEL RT T4				1
91118	DOOR ASSY.-COLLECTION	1	1	1	
91119	DOOR ASSY-COLLECTION T4				1
91120	HOUSING ASSY-SLIDE T1 & T2	1	1		
91123	SCREW-TORX 8-32 X .50	11	11	15	15
91124	SPACER	2	2	2	2
91125	INSERT PANEL ASSY -T3			1	
91127	PIN-HINGE T1 & T2	2	2		
91128	SCREW-TORX 8-32 X .375	2	1	2	1
91130	HOUSING ASSY T3			1	
91135	MLD ASSY.-FINAL RT T3			1	
91140	MLD ASSY-FINAL LT T3			1	
91145	DOOR ASSY.-MLD FINAL RT T1 & T2	1	1		
91150	DOOR ASSY.-MLD FINAL LT T1	1			
91165	INSERT PANEL ASSY T1	1			
91166	PANEL ASSY.-INSERT LT T1	1			
91167	PANEL ASSY.-INSERT RT. T1 & T2	1	1		
91168	PANEL ASSY.-INSERT LT T2		1		
91190	MLD ASSY.- FINAL LT T2		1		
91194	INSTALLATION MANUAL	1	1	1	1
91195	INSERT PANEL ASSY-T2		1		
91201	HINGE-COLLECTION DOOR 5"				1
91205	MLD ASSY.-LT T4				1
91210	MLD ASSY.-FINAL LT T4				1
91211	BLANK-DOOR		1	1	1
91212	BLANK- DOOR T1	1			
91215	MLD ASSY.-RT T4				1
91220	MLD ASSY.-FINAL RT T4				1
91225	INSERT & SHELF ASSY-RT T4				1
91230	INSERT & SHELF ASSY-LT T4				1
91235	HOUSING ASSY-SLIDE T4				1
91240	INSERT PANEL ASSY T4				1
91244	MLD/INSERT ASSY.-FINAL T4				1
91250-1	DOOR ASSY.-PARCEL 3/4	1	1	1	1
91251	SPRING-PARCEL LOCK	2	1	2	1
91252	CAM- 910A PARCEL LOCK	2	1	2	1
91253-1	DOOR-PARCEL 3/4 SIZE	1	1	1	1
91254-1	DOOR-PARCEL FULL	1		1	
91255	COVER-LATCHING ASSY	2	1	2	1
91257-1	DOOR ASSY.-PARCEL FULL SIZE	1		1	
91258	PLATE-COVER	2	1	2	1
91259	COVER-ARROW LOCK	2	1	2	1

Part#	Description	QTY Type 1	QTY Type 2	QTY Type 3	QTY Type 4
91260	INSERT-THREADED	2	2	2	2
91262	BRACKET-STFN R TP & BTM.	1	1	1	1
91467	ROD-THREADED	1	1	2	1
91511-T1	NAMEPLATE KIT T1	1			
91511-T2	NAMEPLATE KIT T2		1		
91511-T3	NAMEPLATE KIT T3			1	
91511-T4	NAMEPLATE KIT T4				1
91601	WASHER-BEARING	2	1	2	1
91602	DOOR/INSERT ASSY. T1	1			
91604	DOOR/INSERT ASSY. T2		1		
91610	LOCK ASSY.-PARCEL	2	1	2	1
91615	DOOR/INSERT ASSY. T3			1	
91620	NUT-HEX .375-24 SS	2	1	2	1
91800	PLATE-ID CABINET	1	1	1	1
91803	MAIL SLOT CROSSBAR	1	1	1	1
91910	LOCK ASSY-910A	10	13	18	14
92051	CAM-LOCK HS	8	12	16	13
92071	TOP-CABINET	1	1	1	1
92300	PLATE ASSY.-HS ARROW LOCK	1	1	1	1
92301	PLATE-WELD	1	1	1	1
92302	PLATE-LATCH LOCK	1	1	1	1
92303	PLATE-LOCK SUPPORT	1	1	1	1
92304	PLATE-ANTI FISH	1	1	1	1
92700	SPRING-PARCEL CAM	2	1	2	1
92701	SCREW 8-32 X .75	2	2	2	2